


ROCKER SWITCHES

PRODUCT NUMBER 1881.1103



TECHNICAL DATA

Product number	1881.1103
Actuator color / printing	
Product family	Rocker switches
Actuation type	direct
Weight	3.210 g
Switch on continuous current (capacitive)	5 A
Inrush current (capacitive)	70 A
ROHS conform	yes
Switching function	ON / OFF switch (SPST)
Material fixed contact	Ag
Number of poles	1 - pole
connections	Quick-connect terminal, 4.8 x 0.8
Mechanical life endurance	10E4
Rating IEC	12 (4) A 250 V AC 1E4 8 (8) A 250 V AC 5E4
Rating North America	15 A 125 V AC 3/4 HP 15 A 250 V AC 1 1/2 HP
Contact resistance (new condition)	< 100 (1 A 12 V DC) mOhm
Insulation resistance (new condition)	> 100 (500 V DC) MOhm

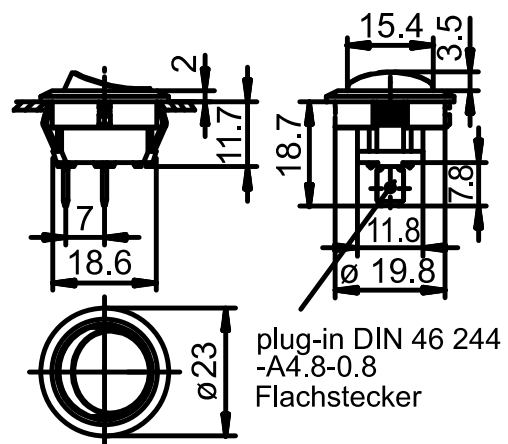
Voltage strength at 250 V	→ function insulation / basic insulation	1 500 V
	→ reinforced insulation	3 000 V
	→ small contact distance	500 V
Proof tracking	250 PTI	
Insulation spacing	acc. to EN 61058 for reinforced or double insulation	
Protection type	→ Connection	IP 40
	→ Actuator	IP 40
Ambient temperature	-20 °C ... +100 °C	
Ambient temperature	-20 °C ... +55 °C	
Storage temperature	-40 °C ... +80 °C	
Flammability	UL 94 V-2	
Glow wire test temperature	850 °C	
Actuators and additional actuators	rocker: PA, black, identification white	
Housing description	housing: PA, black	
Connection surface	→ bearing connection	silver plated
	→ external connection	silver plated
Contact material	Ag	
Contact distance	≥ 3 mm	
Rating Code UL	R 149	
Contact type	lifting contact	
Plug force of the terminals	≤ 80 N	
Operating force	3 N	
Approval marks	cULus / ENEC 05	
Suitable for appliances of protection class	II	
Type of fastening	Snap fastening	

Degree of pollution	3
Stock version	•

PRODUCT IMAGE



DRAWINGS



X	Ø
0.75 ... 1.25	21.2 -0.1
1.25 ... 2	21.4 -0.1
2 ... 3	21.8 -0.1

X = wall thickness

Technical changes reserved. Dimensions are not binding.
Detailed specifications available on request.

Marquardt GmbH · Schloss-Straße 16 · 78604 Rietheim-Weilheim · Germany
Phone: +49 (0) 7424 / 99-0 · Fax: +49 (0) 7424 / 99-2399 · www.marquardt.com · marquardt@marquardt.de