



Wellshow
Always Innovation



047

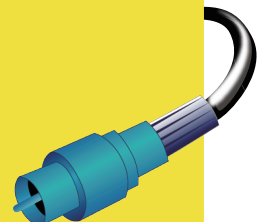
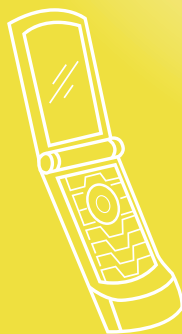


PRODUCT SPECIFICATION

WLAN 2.4G Antenna

2dBi with Reverse SMA Straight Plug

Product No. AR00357W0119N



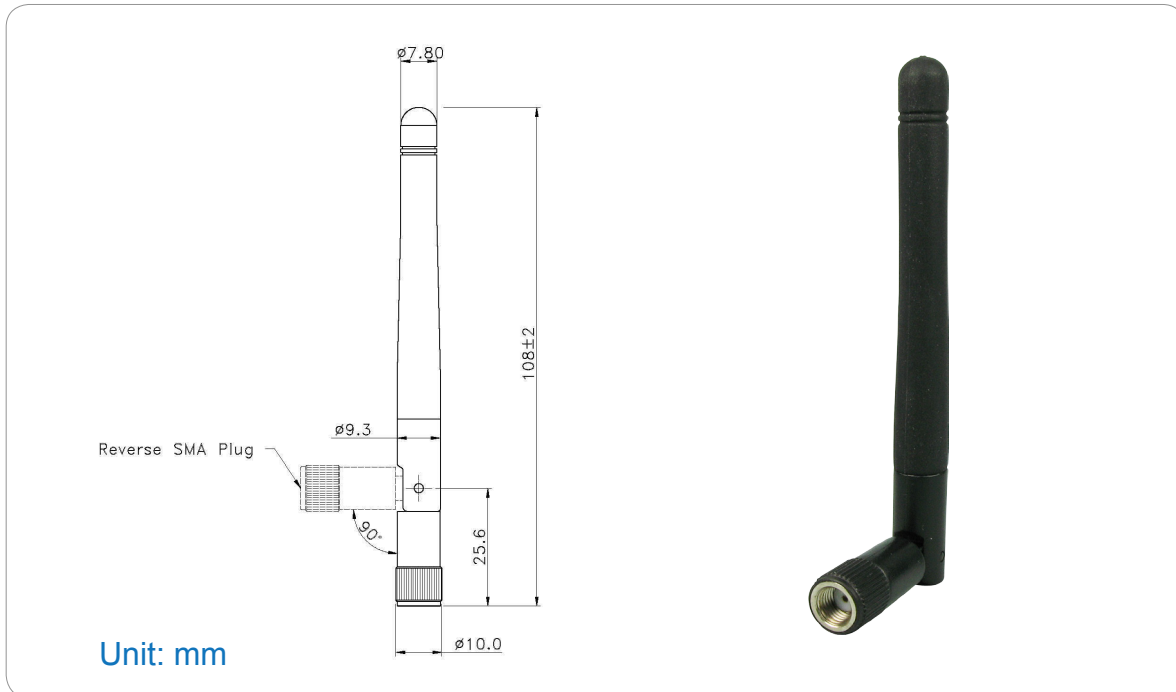
RF Connector, RF Cable & Antenna Manufacturer

E-mail: sales@wellshow.com.tw
Tel: +886-2-24239376 Fax: +886-2-24260387
9F., No.181, Nanrong Rd., Ren-ai Dist., Keelung City 200, Taiwan (R.O.C.)

WLAN 2.4G Antenna 2dBi with Reverse SMA Straight Plug

P/N AR00357W0119N

Structure Figure



Electrical & Mechanical Properties

Frequency Range	2.4 / 2.4835 GHz
Impedance	50Ω
V.S.W.R.	≤ 2.0
Radiation	0mni
Gain	2dBi
Polarization	Vertical

Whip	PU/PC
Connector	Brass
Weight	8.5 g (est)
Operating Temp	-20°C ~ +65°C

Reverse SMA Plug Properties

This is a reverse SMA plug join on the antenna.

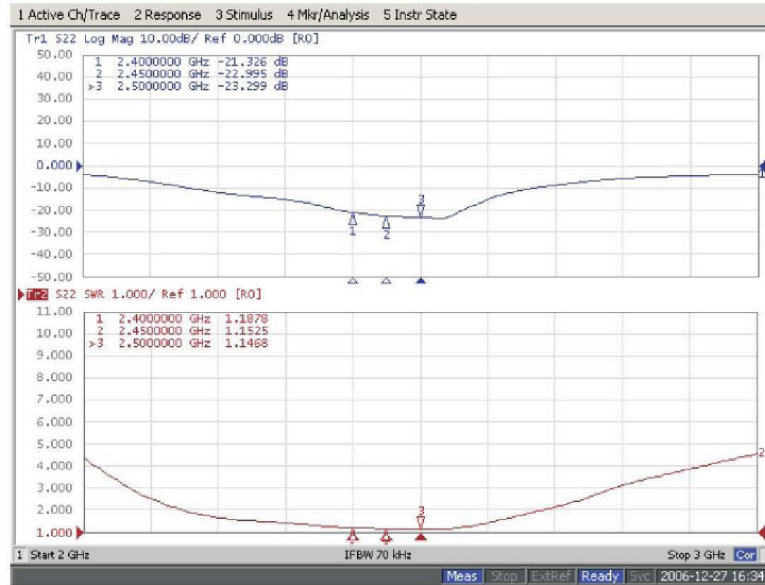
ELECTRICAL PROPERTIES	
Impedance	50 ohm
Frequency Range	0~6 GHz
V.S.W.R.	1.5 (Max)
Working Voltage	≤ 250 Vrms
Dielectric Withstanding	≤ 670 Vrms
Voltage Insulation Resistance	≥ 2000 Megohm
Contact Resistance	Center contact: 3.0 Milliohm (Max.) Outer contact: 2.0 Milliohm (Max.)
Insertion Loss(2.4GHz)	0.3 dB

MATERIAL SPECIFICATIONS		
Material Data	Material	Plating
Body	Brass	Nickel
Center contact	Phosphor Bronze	Gold
Insulator	Teflon or Delrin	

MECHANICAL PROPERTIES	
Recommended coupling nuttorque	4.0 in.1bs. ~ 8.8 in.1bs.
Coupling nut retention force	≥ 50 lbs.
Contact captivation axial	≥ 5 lbs.

ENVIRONMENTAL RATINGS	
Operating Temperature	-60°C ~ +165°C
Thermal Shock	MIL-STD-202, Method 107, Condition B
Corrosion	MIL-STD-202, Method 101, Condition B
Shock	MIL-STD-202, Method 213, Condition I
Vibration	MIL-STD-202, Method 204, Condition D
Moisture Resistance	MIL-STD-202, Method 106

Test Report Electrical Test

Return loss
V.S.W.R.


Test Report Pattern Test

