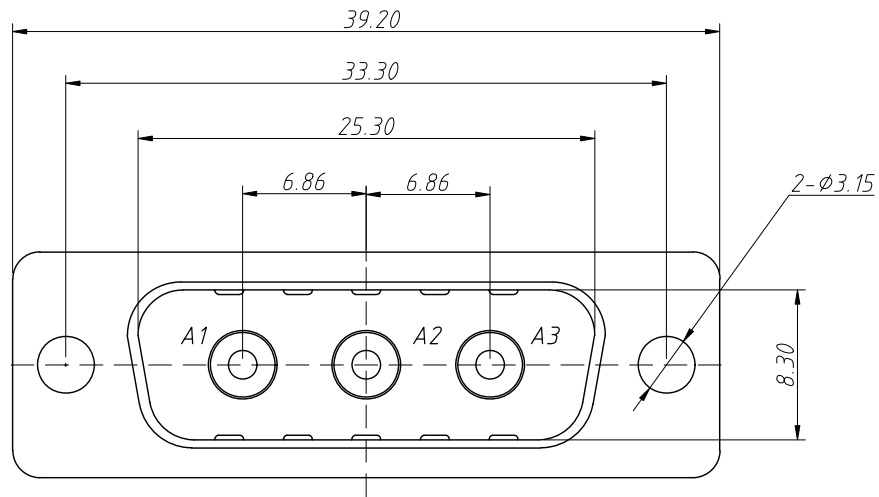


1 RoHS Compliance

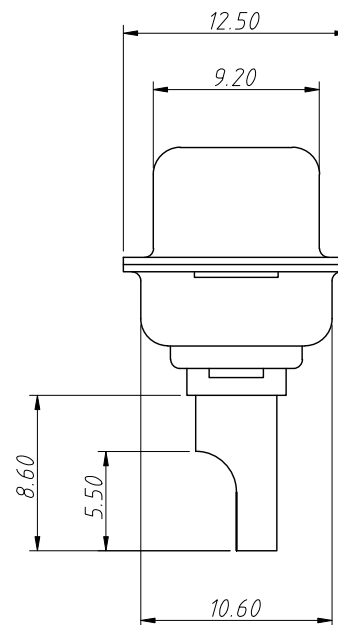
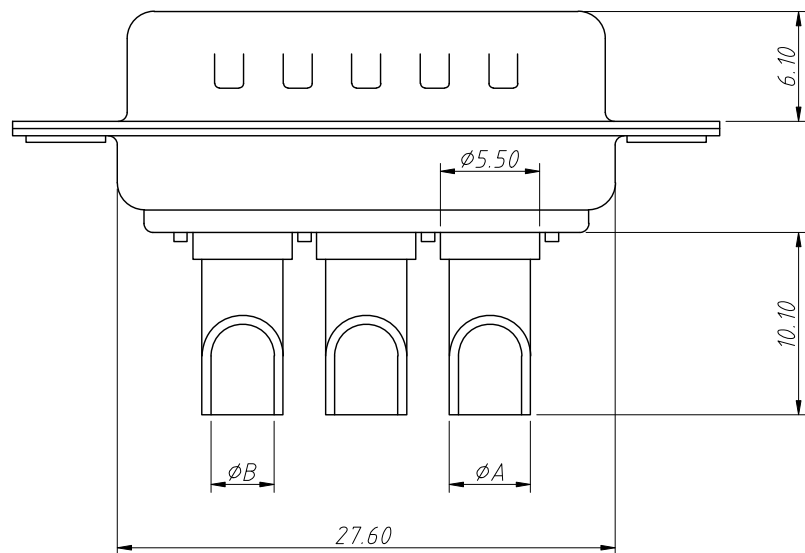
6		7		8	
REV	SYM	Revision Record		Appr.	Date
V0	KLS01545	New Version Release		Song	2024-07-24



Current Rating	A	B	Applicable Wire Diameter
10 A	Ø2.60	Ø1.80	14~16AWG
20 A	Ø3.60	Ø2.80	10~12AWG
30 A	Ø4.50	Ø3.50	8~10AWG
40 A	Ø5.40	Ø4.60	6~8AWG

Material:
 Rubber Core:PBT,Black, UL94V-0
 Contact Point: Copper Alloy,
 1.5u"Gold-Plated
 Shell:SPCC,Nickel Plating On The Front Shell
 And Tin Plating On The Back Shell

Electric:
 Rated Volts:500V AC Min
 Rated Current:10A 20A 30A 40A
 Contact Resistance:30mΩ Max
 Insulation Resistance:
 3000MΩ Min. at 500V DC
 Voltage Withstand:1000V AC RMS for 1Minute
 Temperature:-55°C ~ +105°C
 Salt Spray time:48H



Order Information
 L-KLS1-BIG-224-40-3-M
 RoHS
 High Power Current Rating
 10A 20A 30A 40A
 NO. Of Contacts:3Pins
 M=Male

ANGLE TOLERANCE	PROJECTION	Description:			
±3°		High Current D-SUB Male			
GENERAL TOLERANCE	UNITS	mm	KLS P/N:		
x. ±0.5	SHEET SIZE	A4	L-KLS1-BIG-224-XX-3-M		
.x ±0.3	Draw:	Song	2024-07-24	NingBo KLS ELECTRONIC CO.,L TD.	
.xx ±0.2	Check:	Daniel	2024-07-24		