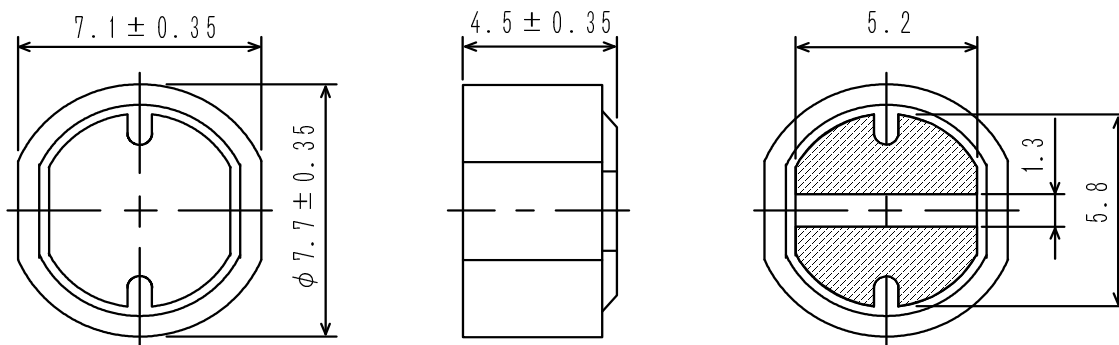
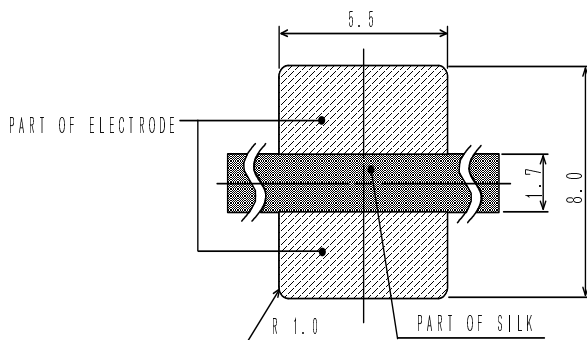


**Type: CDR74**
**◆ Product Description**

- 8.05×7.45mm Max.(L×W), 4.85mm Max. Height.
- Inductance range: 10~270 μ H.
- Rated current range: 0.31~1.64A.
- In addition to the standards versions shown here, custom inductors are also available to meet your exact requirements.


**◆ Feature**

- Magnetically shielded construction.
- Storage temperature range: -40°C ~+85°C.
- Operating temperature range: -40°C ~+85°C (Including coil's self temperature rise).
- Ideally used in Notebook PC, LCD TV, Game machine, HDD, DSC/DVC, etc as DC-DC converter inductors.
- RoHS compliance.

**◆ Dimensions (mm)**

**◆ Land Pattern (mm)**


**Type: CDR74**
**◆ Specification**

Part name ※	Stamp	Inductance ( $\mu$ H)	D.C.R.( $\Omega$ ) [MAX.] (at 20°C)	Rated Current (A) ※1	S.R.F. (MHz) [TYP.]	Measured Frequency
CDR74NP-100N□	100	+25% 10-15%	0.07	1.64	29.8	at 2.52 MHz
CDR74NP-120N□	120	+25% 12-15%	0.08	1.50	26.4	
CDR74NP-150N□	150	+25% 15-15%	0.09	1.34	21.1	
CDR74NP-180N□	180	+25% 18-15%	0.11	1.22	20.0	
CDR74NP-220N□	220	+25% 22-15%	0.12	1.10	19.5	
CDR74NP-270N□	270	+25% 27-15%	0.17	1.00	16.5	
CDR74NP-330N□	330	+25% 33-15%	0.19	0.90	15.5	
CDR74NP-390N□	390	+25% 39-15%	0.21	0.83	14.4	
CDR74NP-470N□	470	+25% 47-15%	0.24	0.75	12.8	
CDR74NP-560N□	560	+25% 56-15%	0.32	0.69	11.6	
CDR74NP-680N□	680	+25% 68-15%	0.37	0.63	10.2	
CDR74NP-820N□	820	+25% 82-15%	0.40	0.57	9.95	
CDR74NP-101M□	101	+20% 100-15%	0.54	0.52	8.59	at 1 kHz
CDR74NP-121M□	121	+20% 120-15%	0.62	0.47	7.53	
CDR74NP-151M□	151	+20% 150-15%	0.86	0.42	7.00	
CDR74NP-181M□	181	+20% 180-15%	0.97	0.38	6.53	
CDR74NP-221M□	221	+20% 220-15%	1.31	0.35	5.07	
CDR74NP-271M□	271	+20% 270-15%	1.46	0.31	4.67	

**※ Description of part name**

CDR74NP-100N□  
 └── B Box  
 └── C Carrier Tape

※1. Rated current: The D.C. current at which the inductance decreases to 80% of it's nominal value or when  $\Delta t=40^{\circ}\text{C}$ , whichever is lower( $T_a=20^{\circ}\text{C}$ ).