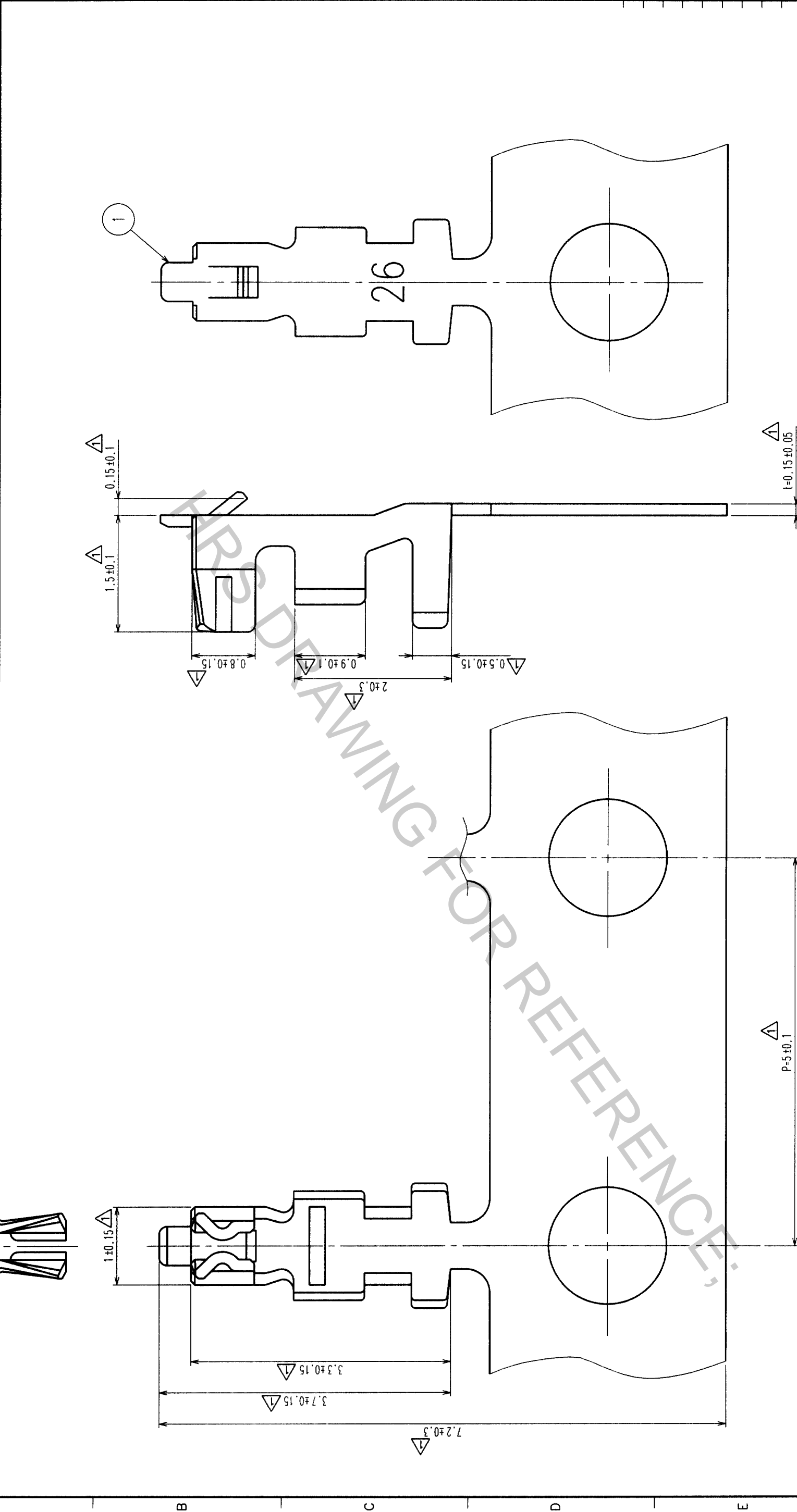


COUNT	DESCRIPTION OF REVISIONS	BY	CHKD	DATE	COUNT	DESCRIPTION OF REVISIONS	BY	CHKD	DATE
17	RE-H-03268	I.Y.	K.A	99.3.25					



Δ NOTES 1: APPLICABLE WIRE : 26 - 30 AWG
 JACKET DIAMETER : 1.0 mm MAX
 Δ 2: 1 REEL 10000 CONTACTS

NO.	MATERIAL	FINISH, REMARKS	NO.	MATERIAL	FINISH, REMARKS
1	PHOSPHOR BRONZE	TIN PLATED			

CODE NO. (OLD)	DESIGNED	CHECKED	APPROVED	RELEASED
	T.Goi	K.Akiyama	M.Yamamoto	
	'94. 4.18	'94. 4.19	'94. 4.25	'94. 4.25

DRAWING NO.	EDC3-081857	PART NO.	DF13-2630SCF
SCALE	20 : 1	CODE NO.	CL536-0300-5
UNITS	mm		