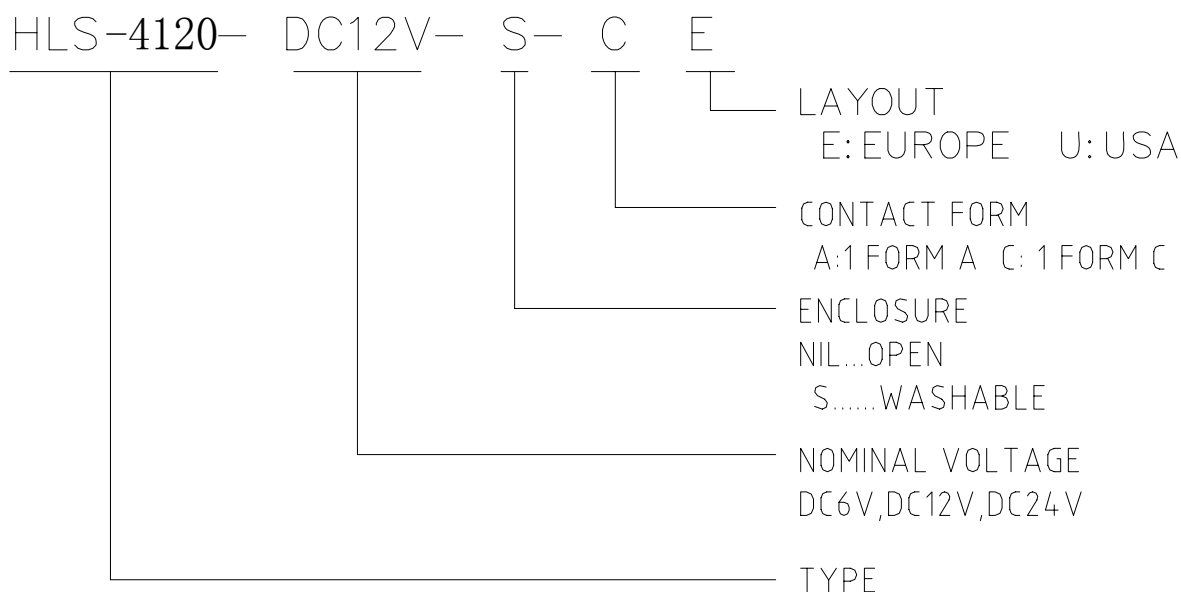


ORDERING CODE



CONTACT DATA

Contact Form	1A 1C	
Contact Material	Ag Alloy	
Contact Ratings	1A: 40A 14VDC 1C: 30A 14VDC	
Max Switching Voltage	30VDC	
Max Switching Current	40A	
Max Switching Power	560W	
Initial Contact Resistance	100mΩ Max	at 6VDC 1A
Life Expectancy Electrical	100,000	Operations (rated load)
Life Expectancy Mechanical	10,000,000	Operations (no load)

GENERAL DATA

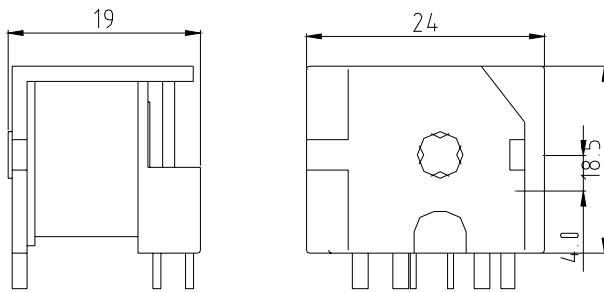
Insulation Resistance	100MΩ min at 500VDC
Dielectric Strength Between Open Contacts	500VAC 50-60HZ (1 minute)
Dielectric Strength Between Contacts And Coil	750VAC 50-60HZ (1 minute)
Operate Time	5ms max
Release Time	4ms max
Ambient Temperature	-40°C to +85°C
Shock Resistance	10G
Vibration Resistance	10-55Hz, 1.5mm double amplitude
Ambient humidity	40-85% RH
Weight	Approx 30g
Safety Standard	

COIL DATA

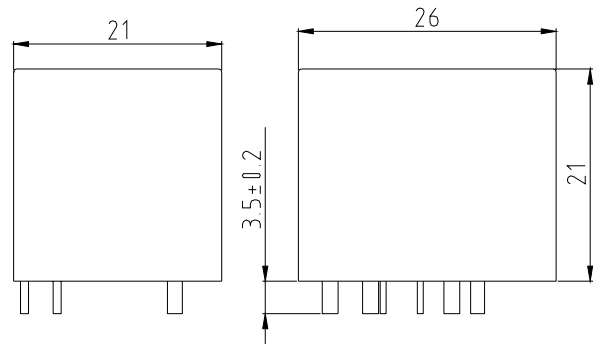
Rated Voltage (VDC)	Coil Resistance Ω ($\pm 10\%$) 1.6W	Max Operate Voltage (VDC)	Min Release Voltage (VDC)	Max Applied Voltage (VDC)
6	23	3.9	0.6	7.8
12	90	7.8	1.2	15.6
24	360	15.6	2.4	31.2

Outline Dimension (mm)

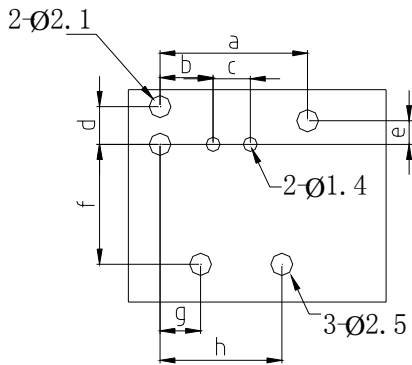
Open Type



Sealed Type



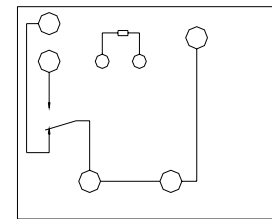
PC Board Layout



(Bottom View)

	U.S.A	EUROPE
a	14.88	15.9
b	5.35	5.9
c	3.75	4.2
d	3.75	3.3
e	2.33	2.2
f	11.8	12.1
g	4.08	2.2
h	12.28	13.2

Wiring Diagram



(Bottom View)