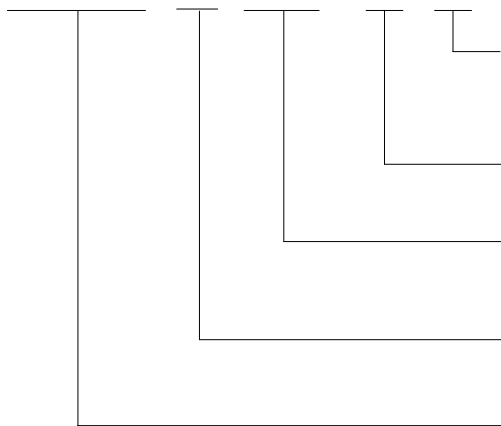




ORDERING CODE

HLS-CMA3- H - DC12V - C - NS



NS: NO SHOULDER
 NIL: WITH METAL SHOULDER
 PS: WITH PLASTIC SHOULDER

CONTACT FORM
 A:1 FORM A B:1FORM B C:1 FORM C U:1 FORM U
 NOMINAL VOLTAGE
 DC6V,DC12V,DC24V

COIL
 NIL....STANDARD (1.6W) H....HIGH POWER(1.9W)
 TYPE

CONTACT DATA

Contact Form	1A/1B/1C/1U	
Contact Material	Ag Alloy	
Contact Ratings	1A:40A/14VDC 1B 1C:30A/14VDC 1U:2×20A/14VDC	
Max Switching Voltage	30VDC	
Max Switching Current	40A	
Max Switching Power	560W	
Initial Contact Resistance	100m Ω Max	at6VDC 1A
Life Expectancy Electrical	100,000	Operations (rated load)
Life Expectancy Mechanical	10,000,000	Operations (no load)

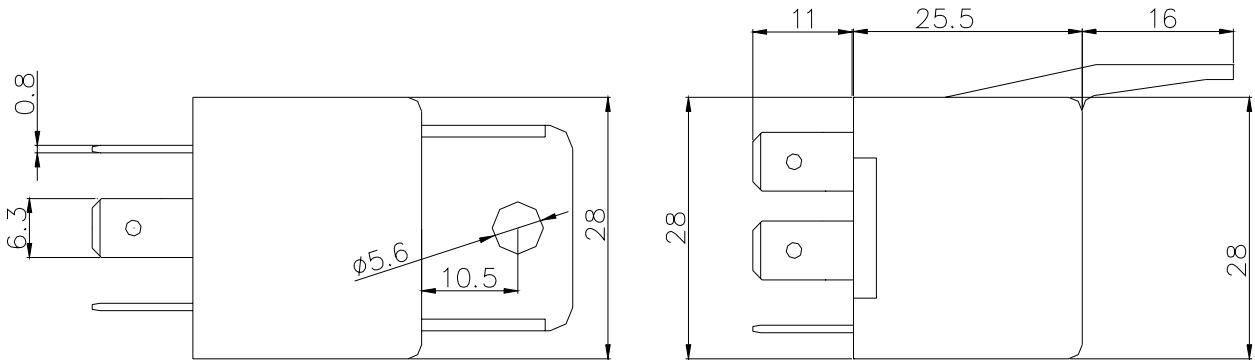
GENERAL DATA

Insulation Resistance	100M Ω min at500VDC
Dielectric Strength Between Open Contacts	500VAC 50-60HZ (1 minute)
Dielectric Strength Between Contacts And Coil	750VAC 50-60HZ (1 minute)
Operate Time	10ms max
Release Time	10ms max
Ambient Temperature	-40°C to+85°C
Shock Resistance	10G
Vibration Resistance	10-55Hz,1.5mm double amplitude
Ambient humidity	40-85% RH
Weight	Approx 40g
Safety Standard	

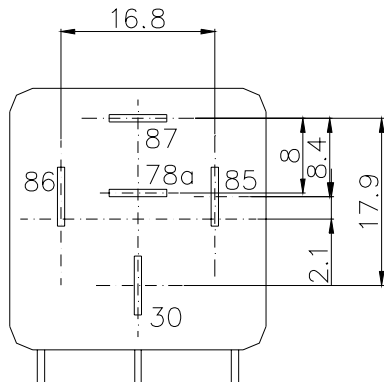
COIL DATA

Rated Voltage (VDC)	Coil Resistance Ω ($\pm 10\%$)		Max Operate Voltage (VDC)	Min Release Voltage (VDC)	Max Applied Voltage (VDC)
	1.6W	1.9W			
6	22.5	19	3.9	0.6	7.8
12	90	75.8	7.8	1.2	15.6
24	360	303.2	15.6	2.4	31.2

Outline Dimension (mm)

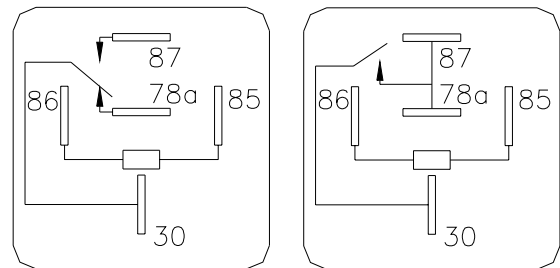


PC Board layout



(Bottom View)

Wiring Diagram



(1U)

(Bottom View)