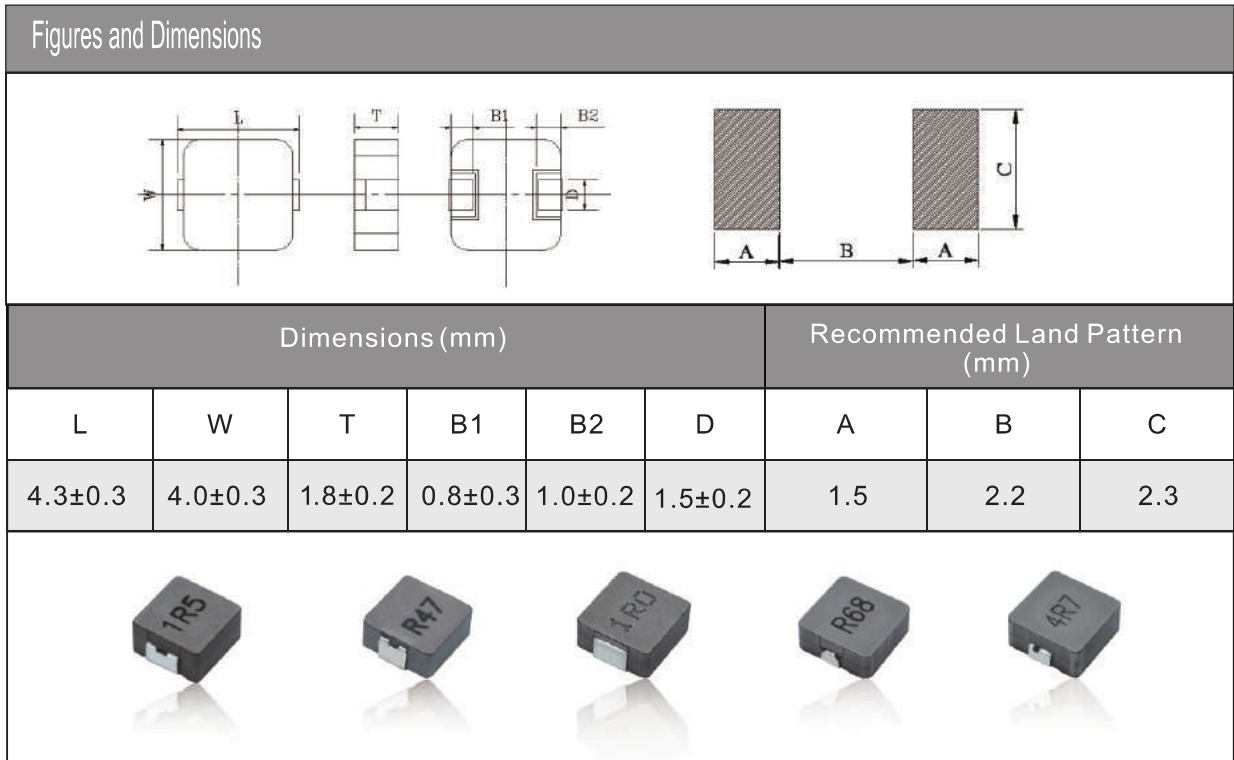


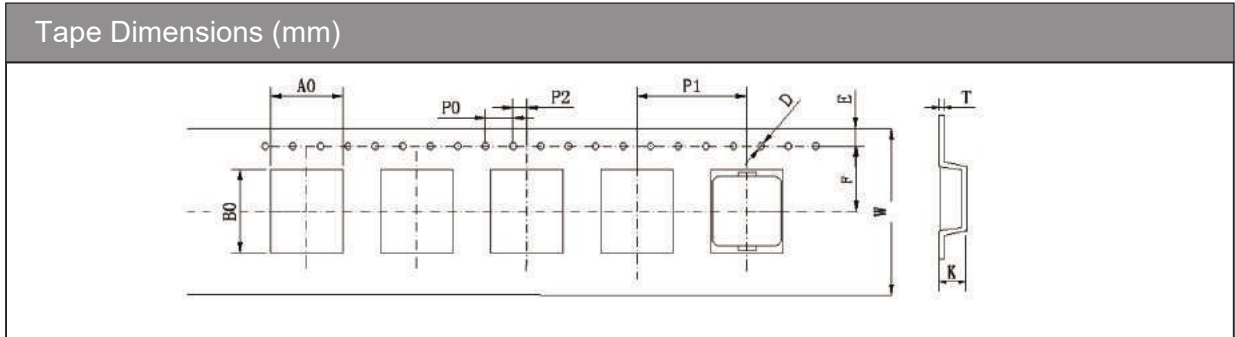
## HIGH POWER INDUCTOR



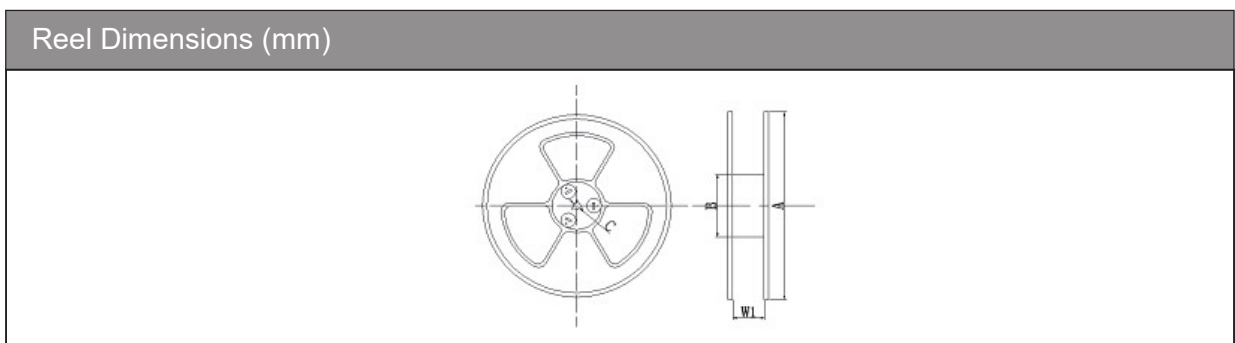
### Electrical Characteristics

Part number	Inductance (μH)@0A	Tolerance	Resistance (mΩ) ±7%	Saturation current Typ.(A)	Heat rating current Typ.(A)
HPI0420-R47	0.47	±20%	14	9.0	7.0
HPI0420-1R0	1.00	±20%	24	5.5	4.5
HPI0420-1R5	1.50	±20%	45	4.5	3.7
HPI0420-2R2	2.00	±20%	60	3.5	3.0
HPI0420-3R3	3.30	±20%	77	2.6	2.5
HPI0420-4R7	4.70	±20%	105	2.4	2.0

## Package



	A0	B0	W	F	E	P1	P2	P0	D	T	K
04 Series	±0.1	±0.1	±0.3	±0.1	±0.1	±0.1	±0.1	±0.1	±0.05	±0.05	±0.1
	4.3	4.7	12	5.5	1.75	8	2.0	4.0	1.5	0.3	H+0.2



	A	B	C	W1	Quality(pcs/Reel)
04 Series	330	100	13.0	12.0	2000