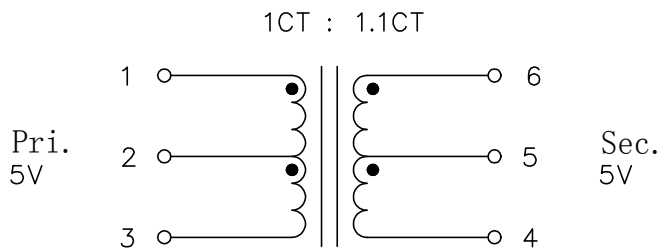


HR600755

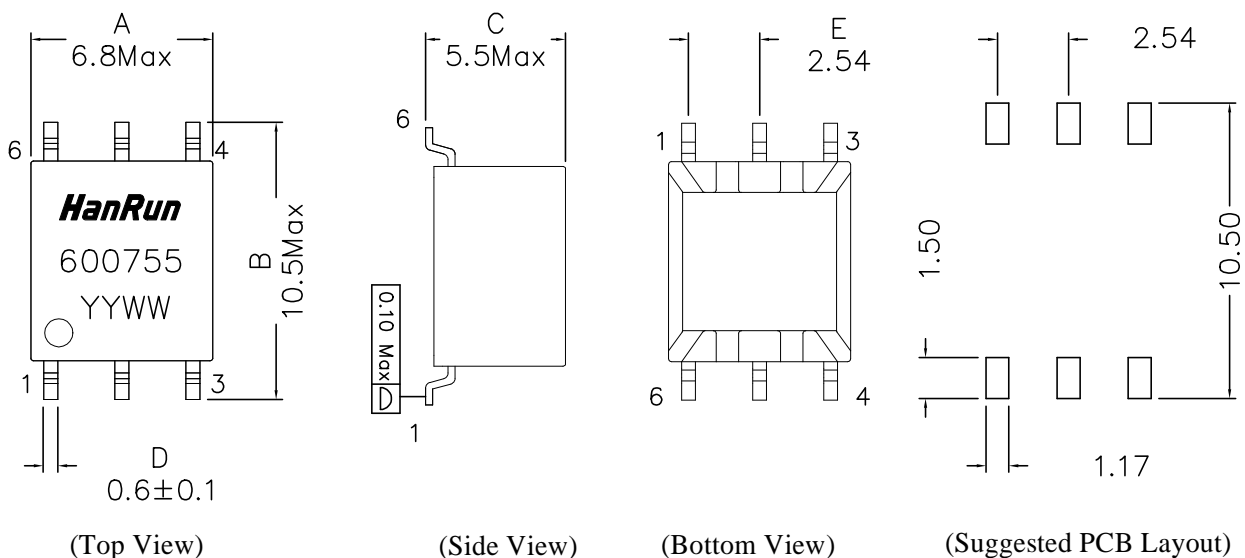
Electrical Specification @25°C

- RoHS Compliant (Pb Free)
- Isolation: 2750Vrms 1mA 60S (Pri to Sec)
- Pin1-3 Inductance: 275 uH Min. @100KHz 10mVrms
- Pin1-3 DC Resistance: 0.30 ohms Max.
- Pin6-4 DC Resistance: 0.35 ohms Max.
- Turns Ratio: Pin1-3 : Pin6-4 = 1CT : 1.1CT ±2% @100KHz 10mVrms
- Current Rating: 150mA
- E-T Prod(V-uS): 9.44 Min.
- Operating Temperature: -40°C ~ +125°C Including temperature rise

Schematics



Mechanical Dimensions



Unless otherwise specified,
Tol.: .xx ± 0.25 (mm)