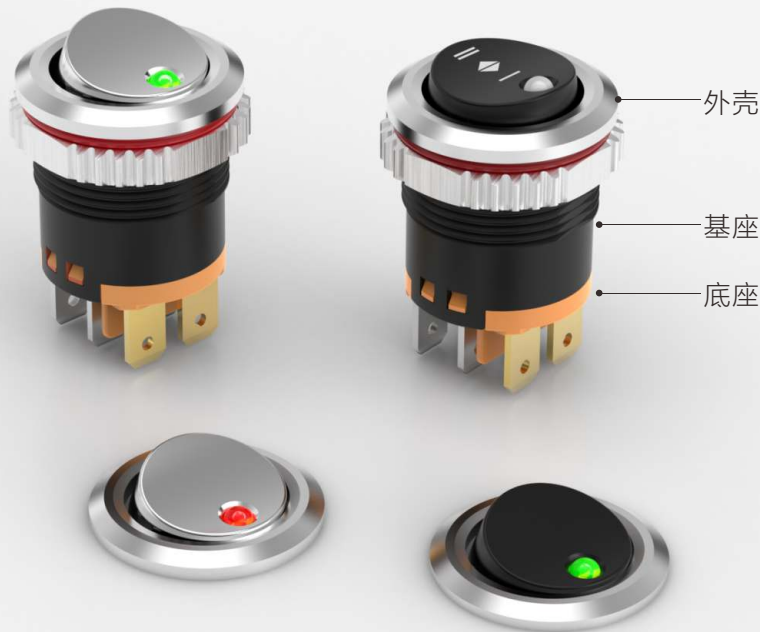


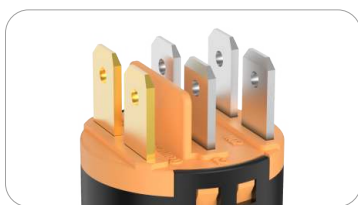
LBCX20

船型开关

Ith:20A 250VAC
二档/三档



不锈钢外壳



镀银引脚



长寿命LED灯珠



阻燃底座

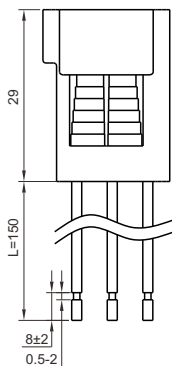
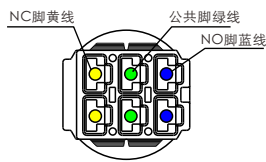
型号说明/选型，写法举例：LBCX20-Y403/R5-24V/S65(L)

对应编号	LB	CX	●●	—	●	●●	●	/	●	●	/	●	●	L
	1	2	3		4	5	6		7	8		9	10	11
1	LB	LANBOO 蓝波代码												
2	船型开关代码	CX												
3	安装孔径	20—开孔20mm												
4	翘板颜色	Y—银色、H—黑色												
5	开关组合	20—2NO 2常开触点, 22—2NO2NC 2常开2常闭触点, 40—4NO 4常开触点(初始状态), 快动双触点												
6	档位	2—2档, 3—3档												
7	发光颜色	R—红色、G—绿色, 定制: B—蓝色、Y—黄色、W—白色												
8	输入电压	5-24V, 220V, 定制: 3-8V、25-48V、110V, AC/DC 通用												
9	外壳材质	S—不锈钢, 定制: N—铜镀铬、A—铝氧化												
10	防水	65—防水IP65, 0—不防水												
11	(L)	内部代码												

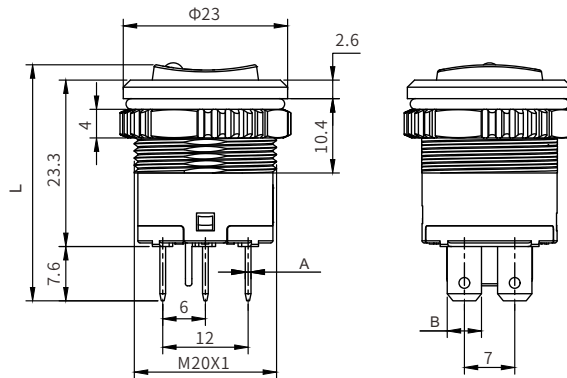
性能参数

开孔直径	对应孔径+0.3mm,例如: LBCX20为Φ20.3mm
外壳	不锈钢, 可定制镀铬、铝氧化
基座	PA66+GF20(RoHS)
底座	PA66+GF20(RoHS)
翘板	PC黑色/ABS镀铬 (RoHS) , V2级阻燃

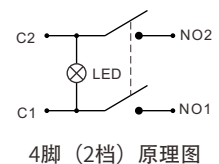
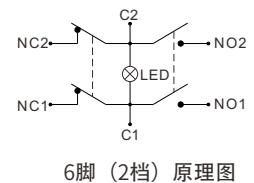
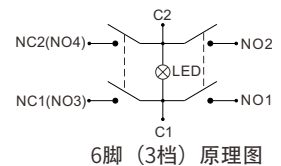
透光罩	PC乳白色 (RoHS) ,V2级阻燃
触点	银氧化锡AgSnO2 (RoHS)
引脚	镀银 (RoHS)
安装面板厚度	≤5mm
按压力	7±1N
接线形式	引脚式, 可配接插件
耐焊性	≤380°C (25~50W电烙铁) ≤2秒
插片可焊性试验	各引脚分别焊接1mm ² 电线, 80N正向拉力后, 无脱落
引脚反向推力	≥50N无位移, 1min
头部防脱顶牛	≥150N, 1min
工作环境温度	-40°C~+80°C, 非真空状态、不结冰情况下
工作环境湿度	45~90%RH
贮存环境温度	包装完好情况下, -40°C~+55°C
贮存环境湿度	包装完好情况下, 45~90%RH
约定发热电流	Ith:20A, 250VAC
电阻性负载	AC-15:250V:16A; DC-13:36V:16A
电感性负载	AC-15:125V/250V:3A; DC-13:110V:3A
接触电阻	≤50mΩ
绝缘电阻	≥1000MΩ
抗电强度 (工频耐压)	2000VAC, 50HZ, 1min
触点最小适用负载	3V AC/DC, 5mA (参考值, 取决于环境与负载情况)
耐振性	XYZ三向, 60HZ, 振幅2mm
产品防跌落	头部竖直跌落1米, 3次, 能正常工作
包装跌落	600mm高度连续跌落4次, 产品无损坏
耐冲击性	各部位能承受冲击力10g, 能正常工作
盐雾试验	72h, 3个周期, (参考 GB/T 2423.18-2012)
低温试验	-40°C, 96h, 接触电阻≤200mΩ、按压力变化值≤30%, LED 正常
高温试验	80°C, 96h, 接触电阻≤200mΩ、按压力变化值≤30%, LED 正常
高低温冲击试验 (含 LED 灯加速老化试验)	-40~+85°C, 85%RH, 40min/循环, 50个循环, 接触电阻≤200mΩ、按压力变化值≤30%, LED正常
电气寿命	阻性负载: AC250V/16A、DC36V/16A: 1万次; (参考 GB/T14048.5)
机械寿命	10万次 (参考 GB/T14048.5)
ESD静电	人体模式: 2KV, 可定制8KV
LED额定电流	≤24V, ≤20mA; >24V, ≤10mA
LED灯珠类型	贴片无极双芯片LED
LED降压方式	内置降压电阻
LED寿命	≥50000h (参考值)
产品认证	CCC CE RoHS (定制) REACH (定制)
质保	66个月



1.5mm²国标铜芯线
长度L:150mm;可定制线长



型号	L	A	B
LBCX20-Y403	33	6-0.8±0.02	6-4.8±0.05
LBCX20-Y222	34.5	6-0.8±0.02	6-4.8±0.05
LBCX20-Y202	34.5	4-0.8±0.02	4-4.8±0.05





LBCX20

Rocker switch
Ith:20A 250VAC



Stainless steel case



Gold/silver plated pin



Long life LED



Flame retardant base

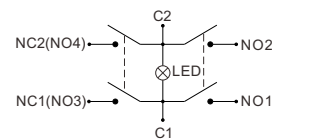
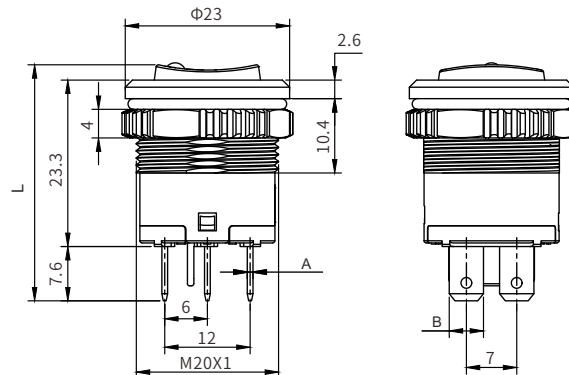
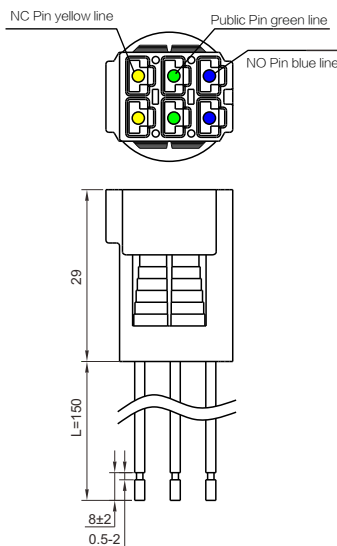
Model Description/Selection, Example:LBCX20-Y403/R5-24V/S65(L)

The Corresponding Number	LB	CX	●●	—	●	●●	●	/	●	●	/	●	●	L	
	1	2	3		4	5	6		7	8		9	10	11	
1	LB	LANBOO													
2	Series No.	CX													
3	Install Diameter	20mm													
4	Warping color	Y—Silver、H—Black													
5	Switch Combination	20—2NO, 22—2NO2NC, 40—4NO													
6	Gear	2—2 gear, 3—3 gear													
7	LED Color	R -Red, G -Green, Custom: B -Blue, Y -Yellow, W -White													
8	LED Voltage	5-24V, 220V, Customized: 3-8V、25-48V、110V, AC/DC General Purpose													
9	Shell Material	S - stainless steel, custom: N - copper chrome, A - aluminum oxidation													
10	Waterproof	65 - Waterproof IP65, 0 - not waterproof													
11	(L)	Internal Code													

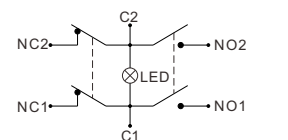
The performance parameters

Hole Diameter	Corresponding aperture +0.3mm, for example: LBCX20 is Φ20.3mm
Shell	Stainless steel, customized chrome plated, aluminum oxidized
Mount	PA66+GF20(RoHS)
Base	PA66+GF20(RoHS)
Rocker	PC Black /ABS Chrome plated (RoHS), V2-class flame retardant

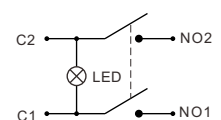
Diaphane	PC opalescent (RoHS),V2 flame retardant
Contact point	Silver Tin Oxide AgSnO2 (RoHS)
Pins Material	Silver plating (RoHS)
Installation panel thickness	≤5mm
Under pressure	7±1N
Connection Mode	Pins,Special connector can be selected
Welding resistance	≤380°C (25 ~ 50W soldering iron) ≤2 seconds
Insert weldability test	Each pin is welded with 1mm ² wire, and does not fall off after 80N positive pulling force
Pin reverse thrust	≥50N No displacement, 1 minute
The head should not fall off	≥150N, 1min
Ambient Temperature	-40°C~+80°C, In non vacuum and non icing conditions
Working ambient humidity	45~90%RH
Storage environment temperature	Under intact packaging, -40°C~+55°C
Storage environment humidity	Under intact packaging, 45~90%RH
Conventional thermal current	Ith:20A, 250VAC
Resistance load	AC-15:250V:16A; DC-13:36V:16A
Inductance Load	AC-15:125V/250V:3A; DC-13:110V:3A
Contact resistance	≤50mΩ
Insulation resistance	≥1000MΩ
Dielectric strength (power frequency withstand voltage)	2000VAC, 50HZ, 1min
Minimum applicable load of contacts	3V AC/DC, 5mA (Reference value, depending on environment and load conditions)
Resistance to vibration	XYZ three way, 60Hz, amplitude 2mm
Product drop prevention	Head vertical drop of 1 meter, 3 times, able to work normally
Packaging drop	4 consecutive drops from a height of 600mm, with no damage to the product
Impact resistance	Each part can withstand an impact force of 10g and work normally
Salt spray test	72 hours, 3 cycles, (refer to GB/T 2423.18-2012)
Low Temperature	-40 °C, 96h, contact resistance ≤ 200m Ω, pressure change value ≤ 30%, LED normal
High Temperature Test	80 °C, 96h, contact resistance ≤ 200m Ω, pressure change value ≤ 30%, LED normal
High and low temperature impact test (including LED lamp accelerated aging test)	-40~+85 °C, 85% RH, 40min/cycle, 50 cycles, contact resistance ≤ 200m Ω, pressure change value ≤ 30%, LED normal
Electrical life	Resistive load: AC250V/16A, DC36V/16A: 10000 times; (Refer to GB/T14048.5)
Mechanical life	100000 times, (refer to GB/T14048.5)
ESD static electricity	Human mode: 2KV, customizable for 8KV
LED rated current	≤24V, ≤20mA; >24V, ≤10mA
LED bead type	SMT Poleless Dual Chip LED
LED voltage reduction method	Built in step-down resistor
LED Life	≥50000h (reference value)
Product Certification	CCC CE RoHS (customized) REACH (customized)
Quality Assurance	66 Months



Schematic diagram of 6-pin (3rd gear)



Schematic diagram of 6-pin (2nd gear)



Schematic diagram of 4-pin (2nd gear)

型号	L	A	B
LBCX20-Y403	33	6-0.8±0.02	6-4.8±0.05
LBCX20-Y222	34.5	6-0.8±0.02	6-4.8±0.05
LBCX20-Y202	34.5	4-0.8±0.02	4-4.8±0.05

1.5mm² copper core wire
L: 150mm; length can be customized