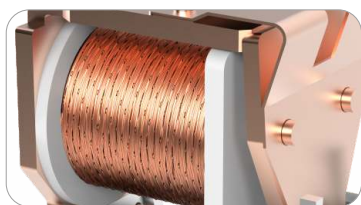
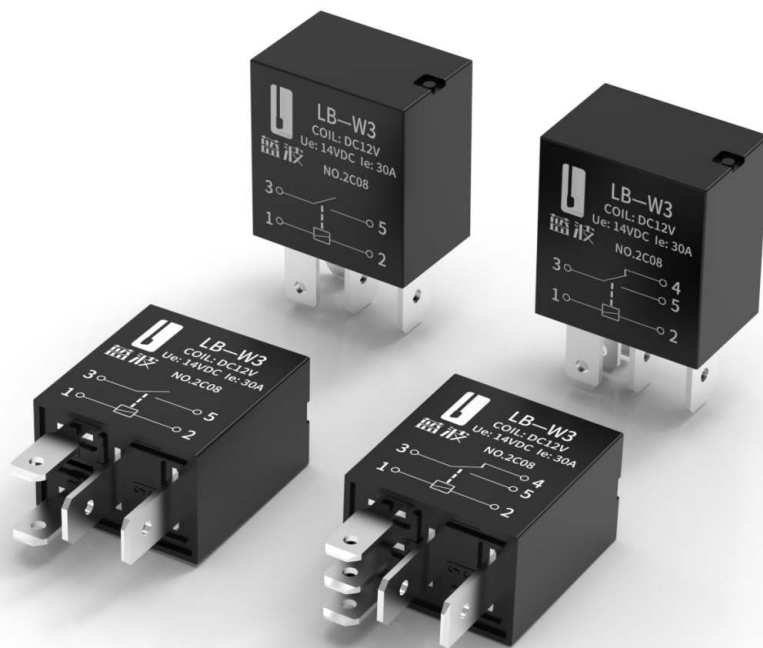


LBW3

紫罗兰继电器



全铜足匝线圈



镀锡



阻燃外壳



铜覆银氧化锡AgSnO₂/Cu

型号说明/选型，写法举例：LBW3/4脚/12V/30A/黑色

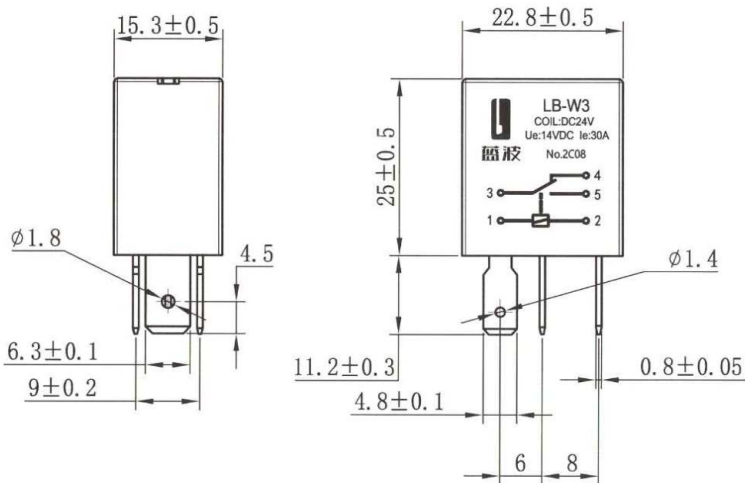
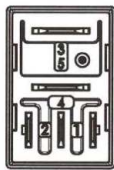
对应编号	LB	-	W3	/	●●	/	●●	/	●●	/	●●	
	1		2		3		4		5		6	
1	LB	LANBOO 蓝波代码										
2	继电器代码	W3										
3	脚位数量	4脚、5脚										
4	线圈电压	12V、24V										
5	触点负载电流	30A										
6	外壳颜色	黑色;定制(黄色、棕色、蓝色)										

性能参数

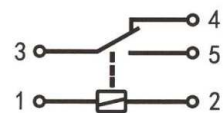
安装方式	配套插座、焊接
外壳	PA6(RoHS), V0级阻燃
底座	PA6(RoHS), V0级阻燃
触点	铜覆银氧化锡AgSnO ₂ /Cu (RoHS)
引脚	镀锡 (RoHS)
接线形式	快连接式
引脚反向推力	≥80N无位移
工作环境温度	-40°C~+80°C, 非真空状态、不结冰情况下
工作环境湿度	35~85%RH
贮存环境温度	包装完好情况下, -40°C~+55°C
贮存环境湿度	包装完好情况下, 40~90%RH



接触电阻	≤50mΩ	
触点类型	1NO/1NO1NC	
触点负载	30A/13.5VDC	
	20A/27VDC	
线圈参数	吸合电压(23°C)	DC: ≤75%(额定电压)
	释放电压(23°C)	DC: ≥10%(额定电压)
	最大电压	23°C时额定电压的150%; 85°C时额定电压的130%
	吸合时间	≤25ms
	释放时间	≤25ms
	线圈耗电量	约1.8W
	线圈电压	DC12V/DC24V
	线圈电阻	DC12V: 90±10%Ω/DC24V: 360±10%Ω
	最大连续电流	NO常开触点: 30A(23°C), 25A(85°C), 13A(125°C) NC常闭触点: 20A(23°C), 15A(85°C), 10A(125°C)
接触降压	(NO)端: 典型值 15mV, 最大值: 250mV(10A 下测量)	
	(NC)端: 典型值 25mV, 最大值: 250mV(10A 下测量)	
绝缘电阻	≥100MΩ(500VDC)	
抗电强度(介质耐压)	触点与线圈间: 500VAC 1min 断开触点间: 500VAC 1min	
触点最小适用负载	6VDC, 1A(参考值, 取决于环境与负载情况)	
耐振性	10Hz~500Hz, 49m/s ² (5G)	
包装跌落	600mm高度连续跌落4次, 产品无损坏	
盐雾试验	72h, 1个周期, (参考GB/T 2423.18-2012)	
低温试验	-40°C, 96h, 接触电阻≤200mΩ	
高温试验	80°C, 96h, 接触电阻≤200mΩ	
高低温冲击试验	-40~+85°C, 85%RH, 40min/循环, 50个循环, 接触电阻≤200mΩ	
寿命试验	电气	≥10万次
	机械	≥1000万次(切换频率: 300cpm)
质保	66个月	



4脚原理图



5脚原理图



中国·蓝波
LANBOO

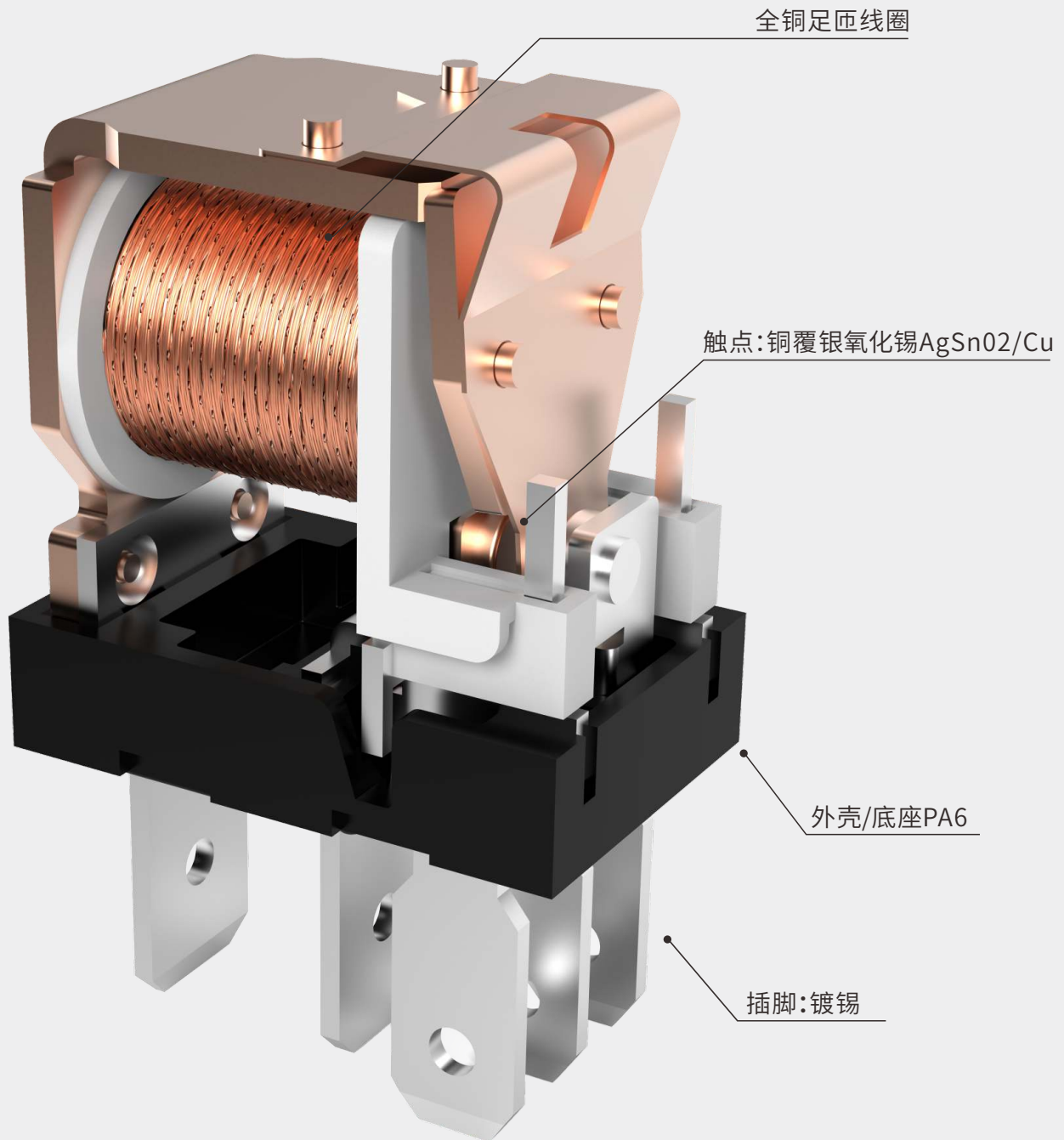
蓝波大电流开关

Pioneer of High-Current Switches

CE RoHS Intertek ISO9001 多项专利

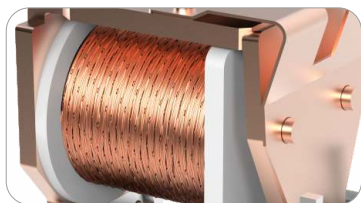
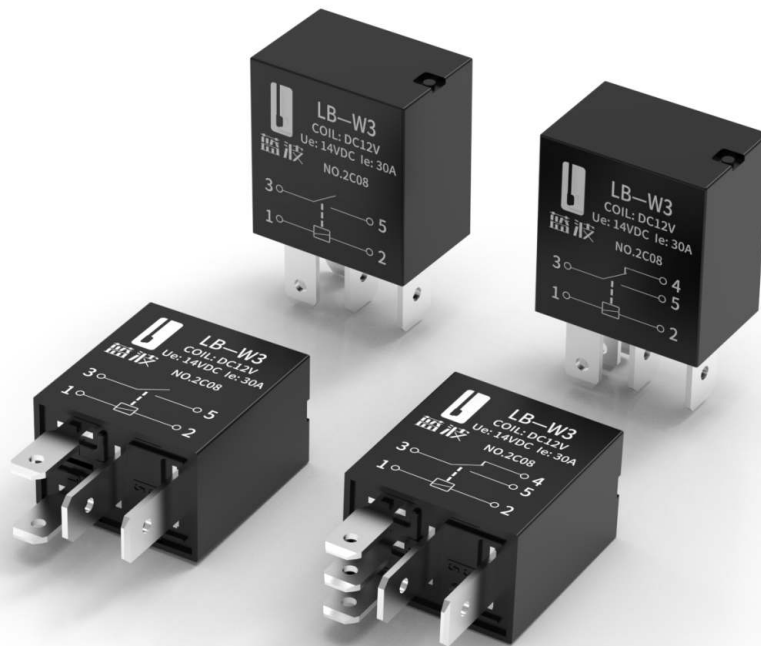
LBW3 规格书

紫罗兰继电器

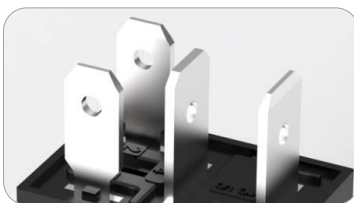


LBW3

Violet relay



All copper foot turn coil



Tin Plating



Flame retardant shell



AgSn02/Cu

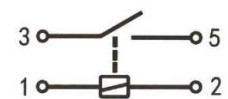
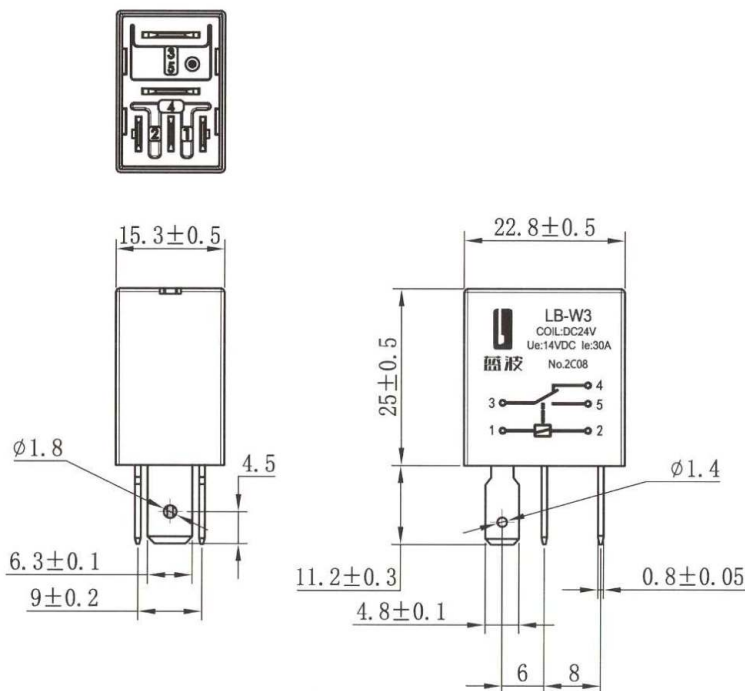
Model Description/Selection, Example:LBW3/4 Pin/12V/30A/Black

对应编号	LB	-	W3	/	●●	/	●●	/	●●	/	●●
	1		2		3		4		5		6
1	LB	LANBOO									
2	Series No.	W3									
3	Pin	4 Pin、 5 Pin									
4	Coil Voltage	12V、 24V									
5	Contact load current	30A									
6	Shell color	Black; Customized (yellow, brown, blue)									

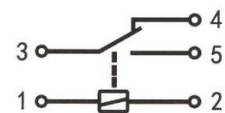
The performance parameters

Installation method	Supporting sockets and welding
Shell	PA6(RoHS), V0level flame retardant
Base	PA6(RoHS), V0 level flame retardant
Contact	AgSn02/Cu (RoHS)
Pin	Tin Plating (RoHS)
Wiring form	Quick connect type
Pin reverse thrust	≥ 80N without displacement
Ambient Temperature	-40°C~+80°C, In non vacuum and non icing conditions
Working environment humidity	35~85%RH
Storage environment temperature	Under intact packaging, -40 °C~+55 °C
Storage environment humidity	Under intact packaging, 40~90%RH

Coil parameters	Contact resistance	≤50mΩ
	Contact type	1NO/1NO1NC
	Contact load	30A/13.5VDC
		20A/27VDC
	Pull-in voltage(23°C)	DC: ≤75%(rated voltage)
	Release voltage(23°C)	DC: ≥10%(rated voltage)
	Maximum voltage	150% of rated voltage at 23 °C: 130% of rated voltage at 85 °C
	Pickup time	≤25ms
	Release	≤25ms
	Power consumption of coils	约1.8W
	Coil Voltage	DC12V/DC24V
	Coil resistance	DC12V: 90±10%Ω/DC24V: 360±10%Ω
	Maximum continuous current	NO normally open contact: 30A(23°C), 25A(85°C), 13A(125°C)
		NC normally closed contact: 20A(23°C), 15A(85°C), 10A(125°C)
Contact voltage reduction	(NO) end: typical value 15mV, maximum value 250mV (measured at 10A)	
	(NC) end: typical value of 25mV, maximum value of 250mV (measured at 10A)	
Insulation resistance	≥100MΩ(500VDC)	
Dielectric strength (dielectric withstand voltage)	Between contact and coil: 500VAC for 1 minute	
	Between open contacts: 500VAC for 1 minute	
Minimum applicable load of contacts	6VDC, 1A (Reference value, depending on environment and load conditions)	
Resistance to vibration	10Hz~500Hz, 49m/s ² (5G)	
Packaging drop	4 consecutive drops from a height of 600mm, with no damage to the product	
Salt spray test	72 hours, 1 cycle, (refer to GB/T 2423.18-2012)	
Low Temperature	-40 °C, 96h, contact resistance ≤ 200mΩ	
High Temperature Test	80 °C, 96h, contact resistance ≤ 200mΩ	
High and low temperature impact test	-40~+85 °C, 85% RH, 40min/cycle, 50 cycles, contact resistance ≤ 200mΩ	
Life test	Electrical	≥ 100000 times
	Machinery	≥ 10 million times (switching frequency: 300cpm)
Quality Assurance	66 Months	



4-pin schematic



5-pin schematic