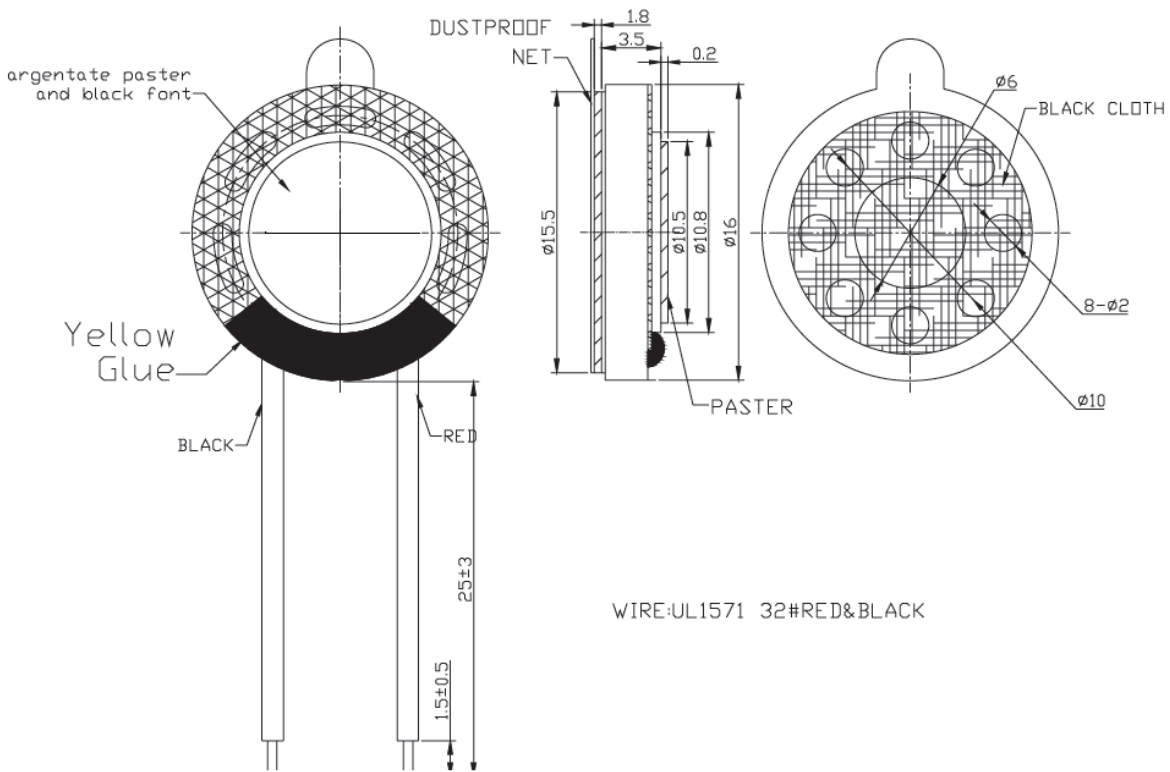


LOUDITY LD-SP-U15.5/8A



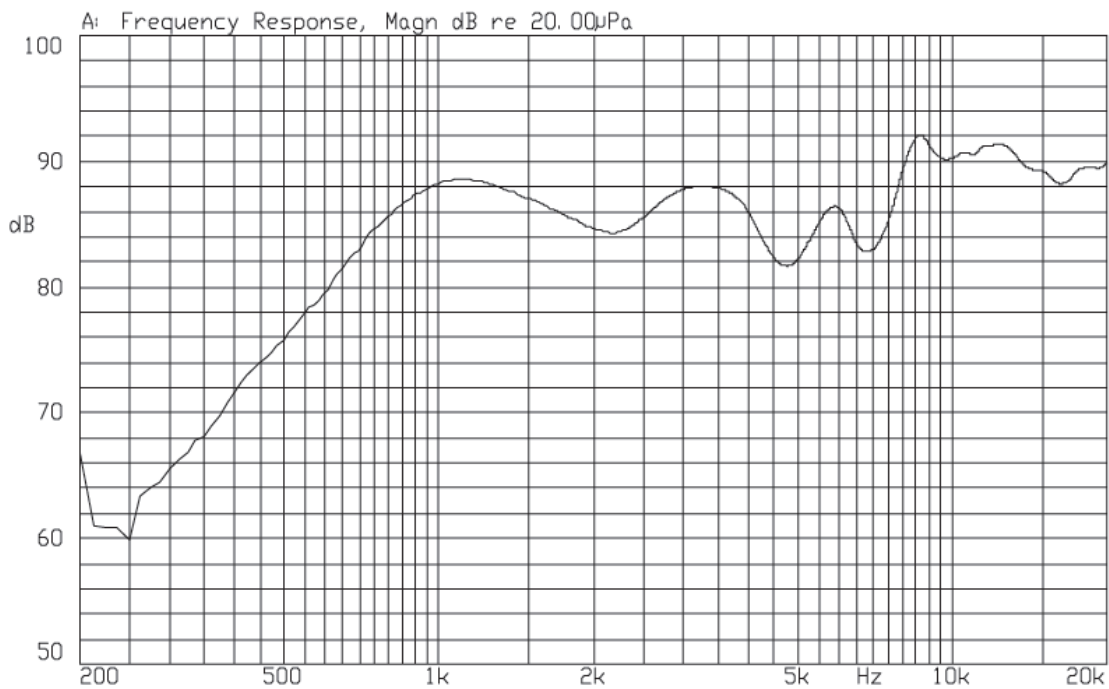
25-APR-2006 15: 01: 45



Curve

Frequency Response Curve

0.1m 0.1W 0.89V



25-APR-2006 15: 01: 45



Specification Type	Unit	Specification
Impedance(at 2KHz,1V)	Ω	8±15%
Rated(max)Power	W	1.0(1.2)
Resonance Frequency(at 1V)	Hz	900 Hz±20%
Frequency Range	Hz	FO ~ 20K
Sensitivity at (AVG0.8,1.0,1.2,1.5)KHz	dB	87±3 0.1W/0.1m baffleboard(IEC)
Weight	g	1.5
Operating Temperature	°C	-20°C ~ +60°C
Storage Temperature	°C	-30°C ~ +70°C

Environmental Test High temp. Test	Keep 96 hours at +70°C±3°C and leave 3 hours in normal temperature and then check
Low temp. Test	Keep 96 hours at -30°C±3°C and leave 3 hours in normal temperature and then check
Vibration. Test	10~55~10Hz sin-wave sweep 15min. 5G(constant) X,Y, Z 3 direction. 2 hours each, total 6 hours.
Drop. test	Free drop a unit from 100cm height to a board of 20mm thick x,y, z 6 direction. 1 times each, total 6 times.
Load .test	Rated Power white noise is applied for 96 hours