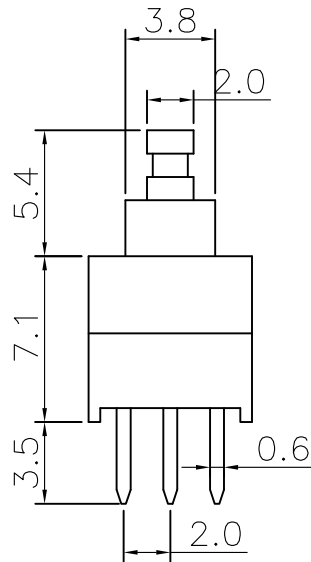
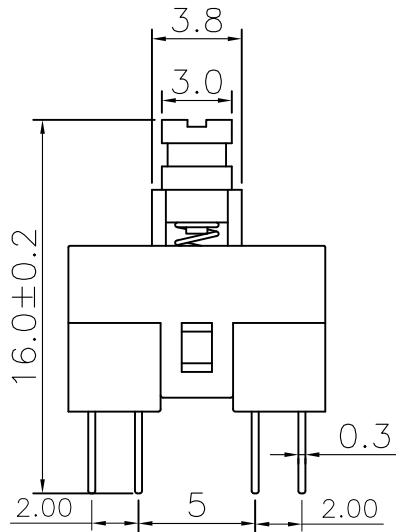
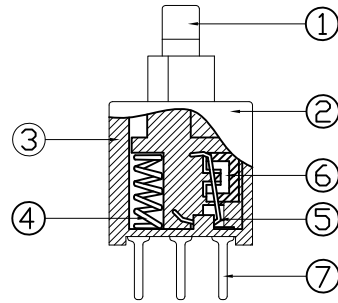
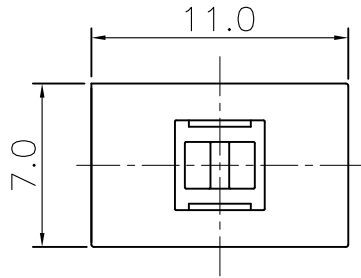
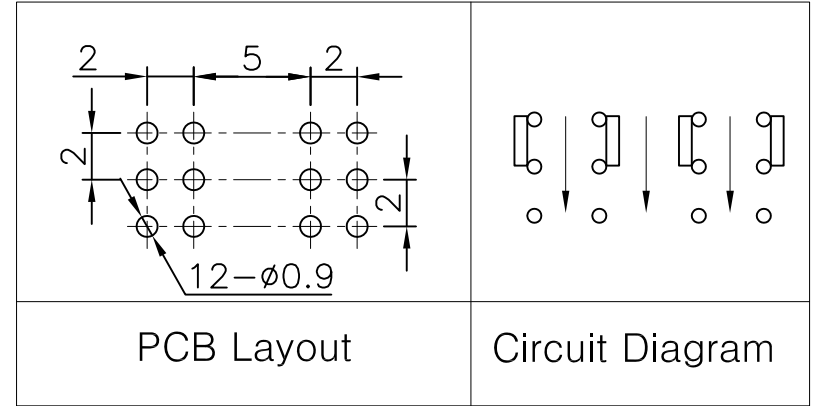


ROHS



ITEM	PART NAME	TER'NO.	QTY.	MATERIAL	FINISHING	REMARK
1	Keystoke		1pcs	POM	Blue	
2	COVER		1pcs	POM	White	
3	Base		1pcs	PBT	Black	
4	Spring		1pcs	SWC		
5	Contact		1pcs	Copper Sliver	Plating silver	
6	Hookpin		1pcs	SWC		
7	Terminal		12pcs	Brass	Plating silver	



Specification :

1. Rating : DC12V 50mA
2. Contact Resistance : 100mΩ Max
3. Insulation Resistance : 100MΩ Min
4. Withstand Voltage : AC250V (50-60Hz) For 1 Minute
5. Operation Force : 240±50gf
6. Life Test : 10,000 Cycles
7. Total Travel : 2.4±0.3 mm
8. Work Style : Self-Lock

APPROVALS		DATE	KLS ELECTRONIC CO., LTD.	
DRAWN				
CHECKED			TITLE:	PUSH SWITCH
APPROVALS			PART NO.	L-KLS7-PS-005E-L
TOLERANCES ARE		30<L ±0.30	ANGLE	UNIT: mm SCALE:
		10<L ±0.20	±2'	PROJ:
		5<L ±0.15	DRAWING NO.	SHEET 1 OF 1
		L ≤ 5 ±0.10		

ECN NO.	REV.	DATE.	DESCRIPTION.	CHANGE.	CHECK.	APPRO.
	A		NEW			