



**Ordering number** CA12332  
**Description** CA12332\_Strada-T-DN

Family	Strada-T	FWHM	Asym degrees
Type	Lens	Efficiency	93 %
LED	MX-6	cd/lm	-
Color	Transparent	Gerber File	Available
Diameter	19.6 x 15.5 mm		
Height	9.6 mm		
Style	Rectangular		
Optic Material	PMMA		
Holder Material	-		
Fastening	Screw, pin, tape		
Status	Ready		

**Ordering number** C12329  
**Description** C12329\_Strada-T-DN

Family	Strada-T	FWHM	Asym degrees
Type	Lens	Efficiency	93 %
LED	MX-6	cd/lm	-
Color	Transparent	Gerber File	Available
Diameter	19.6 x 15.5 mm		
Height	9.2 mm		
Style	Rectangular		
Optic Material	PMMA		
Holder Material	-		
Fastening	Screw, pin, glue		
Status	Ready		



**PRODUCT DATASHEET**  
**Strada-T series**  
last update 22/12/2011



**NOTE: The typical divergence will be changed by different color, chip size and chip position tolerance. The typical total divergence is the full angle measured where the luminous intensity is half of the peak value.**



## PRODUCT DATASHEET Strada-T series

last update 22/12/2011



### GENERAL INFORMATION

- Product series especially designed & optimized for MX-6 series of LEDs.
- Special care taken to make light distribution as uniform as possible.
- Fastening to heat sink with a PU foam adhesive tape of automotive grade. Please find fastening details by clicking link: [http://www.ledil.com/datasheets/DataSheet\\_TAPE.pdf](http://www.ledil.com/datasheets/DataSheet_TAPE.pdf)
- Fastening to PCB with appropriate adhesive. By clicking link below you can find Ledil recommended glue options.  
[http://www.ledil.com/datasheets/DataSheet\\_GLUES.pdf](http://www.ledil.com/datasheets/DataSheet_GLUES.pdf)

**NOTE 1: We advise customer to ensure the suitability and sufficiency of the bond in the end product. For example, mechanical stress, vibration and holes on the surface of the circuit board weaken the strength of the tape.**

**NOTE 2: Assembly to the surface must be made straight, so the tape bonds constant and balanced with fastening surface. Slanted assembly might cause unbalanced bond to the surface. All surfaces where tape is applied must be clean, dry and free from grease and dirt.**

**If cleaning of PCB surfaces is needed, please follow strictly the cleaning instructions of your LED manufacturer - this is important as cleaning shall under no circumstances damage LEDs or other electronics components on the PCB.**

**Further note that optical components shall not be cleaned with any chemicals - only micro fiber cloth may be used to remove fingerprints or other traces from handling.**

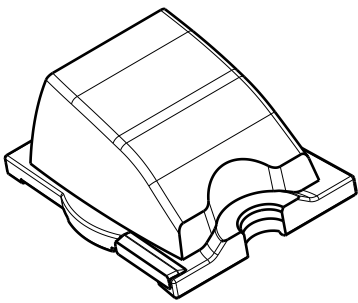
**NOTE 1: We advise customer to ensure the suitability and sufficiency of the bond in the end product. For example, mechanical stress, vibration and holes on the surface of the circuit board weaken the strength of the glue.**

**NOTE 2: All surfaces where glue is applied must be clean, dry and free from grease and dirt. If cleaning of PCB surfaces is needed, please follow strictly the cleaning instructions of your LED manufacturer -this is important as cleaning shall under no circumstances damage LEDs or other electronics components on the PCB.**

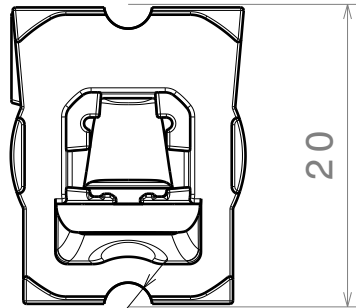
**Further note that optical components shall not be cleaned with any chemicals - only micro fiber cloth may be used to remove fingerprints or other traces from handling.**

D C B A

4



Isometric view

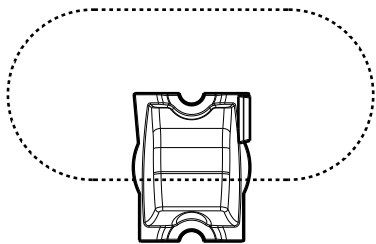


20  
fastening

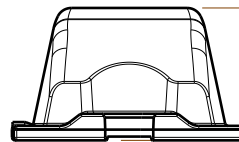
Bottom view

$\varnothing 3.2$

3



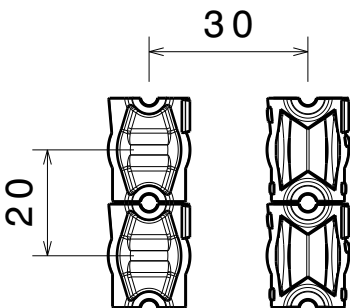
Beam direction



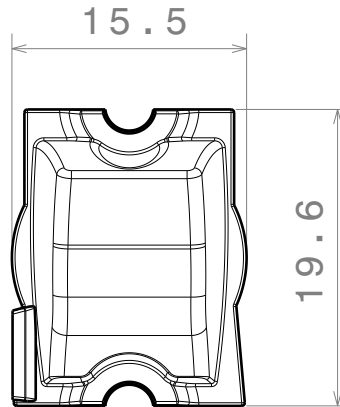
9.2  
with tape 9.6

Front view

2



Strada lens arrangement recommendation



Top view

**MATERIALS**

Lens: PMMA

Tape(optional): PU Foam

Part no. with tape fastening: CA12332\_Strada-T-DN

This drawing is our property. It can't be reproduced or communicated without our written agreement.



Ledil Oy  
Salorankatu 10  
FIN-24100 SALO  
Finland

**DRAWING TITLE**

Datasheet Strada-T-DN Lens

**DRAWN BY**

ah

**DATE**

13.12.2011

**CHECKED BY**

vs

**DATE**

13.12.2011

**SIZE**

A4

**DRAWING NUMBER**

C12329

**REV**

1

**DESIGNED BY**

hh

**DATE**

07.09.2011

**SCALE**

2:1

**WEIGHT (g)**

**SHEET**

1/1

1

1

D A