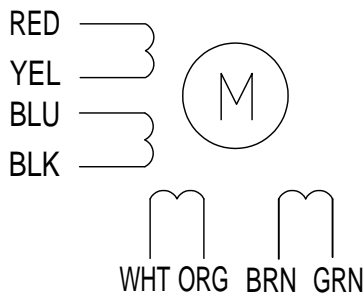


HIGH TORQUE HYBRID STEPPING MOTOR SPECIFICATIONS

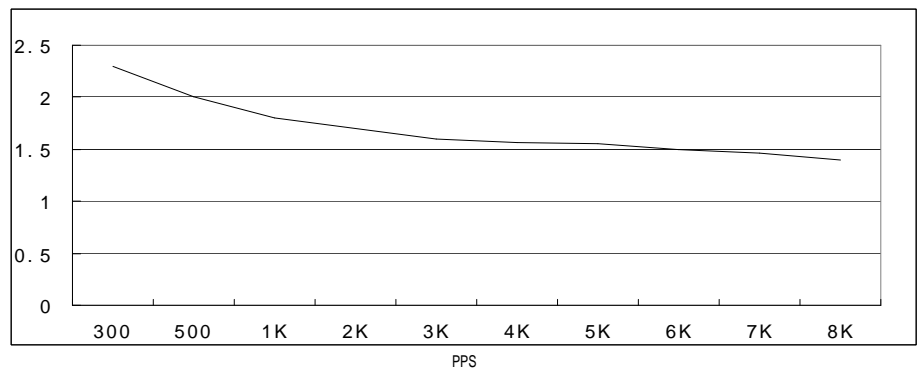
General specifications		Electrical specifications	
Step Angle (°)	1.8	Rated Voltage (V)	3.92
Temperature Rise (°C)	80 Max (rated current, 2 phase on)	Rated Current (A)	2.8
Ambient Temperature (°C)	-20~+50	Resistance Per Phase ($\pm 0\% \Omega$)	1.4 (25°C)
Number of Phase	2	Inductance Per Phase ($\pm 20\% \text{mH}$)	3.9
Insulation Resistance (M Ω)	100 Min (500VDC)	Holding Torque (N.m)	3.4
Insulation Class	Class B	Detent Torque (N.m)	0.08
Max.radial force (N)	220 (20mm from the flange)	Rotor Inertia (g.cm ²)	1000
Max.axial force (N)	60	Weight (Kg)	1.8

● Wiring Diagram:

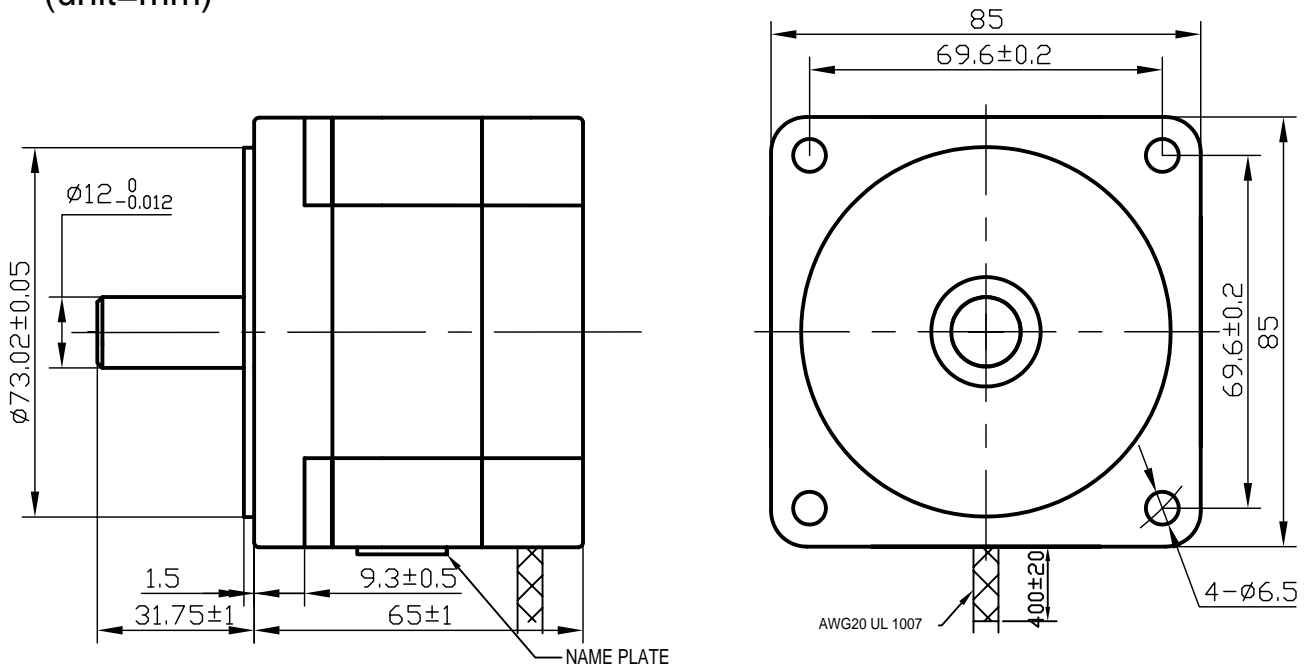


● Pull out torque curve:

VOLTAGE: 110VAC, CONSTANT CURRENT: 2.8A, WZM-ZH110MS HLAIF STEP



● Dimensions: (unit=mm)



△					SY85STH65-2808A	TECHNICAL CONDITIONS
△						
REV	REVISIONS	DESCRIPTION	BY	DATE	CHANGZHOU SONGYANG MACHINERY & ELECTRONICS NEW TECHNIC INSTITUTE	110065001
DRAW	王凯 2009.06.30					
CHECK						
APPROVE						

This document was created with Win2PDF available at <http://www.daneprairie.com>.
The unregistered version of Win2PDF is for evaluation or non-commercial use only.