

MODEL NO. : TM043NDH02ISSUED DATE: 2010-11-25VERSION : Ver 2.1

- Preliminary Specification  
 Final Product Specification

Customer :

Approved by	Notes

SHANGHAI TIANMA Confirmed :

Prepared by	Checked by	Approved by

This technical specification is subjected to change without notice



## Table of Contents

.....	1
Record of Revision.....	3
1. General Specifications .....	4
2. Input/Output Terminals .....	5
3. Absolute Maximum Ratings .....	6
4. Electrical Characteristics.....	6
4.1 Driving TFT LCD Panel.....	6
4.2 Driving Backlight.....	7
4.3 Block Diagram .....	7
5. Interface timing .....	8
5.1 Input Setup Timing Setting.....	8
5.2 Data Input Format.....	10
5.3 Power ON/OFF Sequence.....	13
6. Optical Characteristics .....	14
7. Environmental / Reliability Test .....	17
8. Mechanical Drawing.....	18
9. Packing Drawing .....	19
10. Precaution for Use of LCD Modules.....	20

TIANMA CONFIDENTIAL



**Record of Revision**

Rev	Issued Date	Description	Editor
1.0	2010-07-13	Preliminary release.	Haitao Chen
1.1	2010-08-02	Clock for input data latched change: at falling edge→rising edge	Haitao Chen
2.0	2010-10-08	Final Product Specification Release	Xing Nie
2.1	2010-11-25	Update Driving Backlight	Xing Nie

TIANMA CONFIDENTIAL



## 1. General Specifications

Feature		Spec
<b>Display Spec.</b>	Size	4.3 inch
	Resolution	480(RGB) x 272
	Interface	RGB 24 bits
	Color Depth	16.7M
	Technology Type	a-Si
	Pixel Pitch (mm)	0.198x0.198
	Pixel Configuration	R.G.B. Vertical Stripe
	Display Mode	TM with Normally White
	Surface Treatment(Up Polarizer)	Anti-Glare(3H)
	Viewing Direction	6 o'clock
	Gray Scale Inversion Direction	12 o'clock
	LCM (W x H x D) (mm)	105.50x67.20x2.90
<b>Mechanical Characteristics</b>	Active Area(mm)	95.04x53.86
	With /Without TSP	Without TSP
	Weight (g)	44.065
	LED Numbers	10 LEDs

Note 1: Viewing direction for best image quality is different from TFT definition, there is a 180 degree shift.

Note 2: Requirements on Environmental Protection: Q/S0002

Note 3: LCM weight tolerance:  $\pm 5\%$

**2. Input/Output Terminals**

No	Symbol	I/O	Description	Remark
1	VLED-	P	Back light cathode	
2	VLED+	P	Back light anode	
3	GND	P	Ground	
4	VDD	P	Power supply	
5	R0	I	Data input	
6	R1	I	Data input	
7	R2	I	Data input	
8	R3	I	Data input	
9	R4	I	Data input	
10	R5	I	Data input	
11	R6	I	Data input	
12	R7	I	Data input	
13	G0	I	Data input	
14	G1	I	Data input	
15	G2	I	Data input	
16	G3	I	Data input	
17	G4	I	Data input	
18	G5	I	Data input	
19	G6	I	Data input	
20	G7	I	Data input	
21	B0	I	Data input	
22	B1	I	Data input	
23	B2	I	Data input	
24	B3	I	Data input	
25	B4	I	Data input	
26	B5	I	Data input	
27	B6	I	Data input	
28	B7	I	Data input	
29	GND	P	Ground	
30	DCLK	I	Clock for input data. Data latched at rising edge of this signal.	
31	DISP	I	Standby mode. DISP = "1": Normally operation. DISP = "0": Standby mode.	
32	HSYNC	I	Horizontal sync input with negative polarity. If unused, please pull high level.	
33	VSYNC	I	Vertical sync input with negative polarity. If unused, please pull high level.	
34	DE	I	Data input enable. If unused, please pull low level.	
35	NC	--	No connection	
36	GND	P	Ground.	
37	X_R	--	No connection	
38	Y_B	--	No connection	
39	X_L	--	No connection	
40	Y_T	--	No connection	

**Note:** I--Input, O--Output, P--Power/Ground

**Table 2.1 Input Terminal Pin Assignment**

The information contained herein is the exclusive property of SHANGHAI TIANMA MICRO-ELECTRONICS Corporation, and shall not be distributed, reproduced, or disclosed in whole or in part without prior written permission of SHANGHAI TIANMA MICRO-ELECTRONICS Corporation.



### 3 Absolute Maximum Ratings

#### 3.1 Driving TFT LCD Panel

GND=0V, Ta=25°C

Item	Symbol	Min	Max	Unit	Remark
Supply Voltage	VDD	-0.3	4.0	V	
Back Light Forward Current	I <sub>LED</sub>		25	mA	For each LED
Operating Temperature	T <sub>OPR</sub>	-20	70	°C	
Storage Temperature	T <sub>STG</sub>	-30	80	°C	

Note1: The parameter is for driver IC (gate driver, source driver) only.

Note2: Signals include R0~R5, G0~G5, B0~B5, DCLK, DISP, HSYNC, VSYNC, DE

Table 3.1 absolute maximum rating

### 4 Electrical Characteristics

#### 4.1 Driving TFT LCD Panel

GND=0V, Ta=25°C

Item	Symbol	Min	Typ	Max	Unit	Remark	
Supply Voltage	VDD	3.0	3.3	3.6	V		
Input Signal Voltage	Low Level	V <sub>IL</sub>	0	--	0.3xVDD	V	R0~R5, G0~G5, B0~B5, DCLK, DISP, HSYNC, VSYNC, DE
	High Level	V <sub>IH</sub>	0.7xVDD	--	VDD	V	
Output Signal Voltage	Low Level	V <sub>OL</sub>	--	--	0.2xVDD	V	
	High Level	V <sub>OH</sub>	0.8xVDD	--	VDD	V	
(Panel+LSI) Power Consumption	Black Mode (60Hz)		74.0			mW	
	Standby Mode		50			uW	Note1

Note1: To test the current dissipation, use "all Black Pattern".

Table 4.1 LCD module electrical characteristics

#### 4.2 Driving Backlight

Item	Symbol	Min	Typ	Max	Unit	Remark
Channel	I <sub>channel</sub>	--	20.0	25.0	mA	Note 1
Forward Voltage	V <sub>BL</sub>	--	16	--	V	
Backlight Power Consumption	W <sub>BL</sub>	--	640	--	mW	
Life Time	--	10,000	(20,000)	--	Hrs	Note 3

The information contained herein is the exclusive property of SHANGHAI TIANMA MICRO-ELECTRONICS Corporation, and shall not be distributed, reproduced, or disclosed in whole or in part without prior written permission of SHANGHAI TIANMA MICRO-ELECTRONICS Corporation.



Note 1: Each LED :  $I_F = 20\text{ mA}$ ,  $V_F = 3.2\text{V}$ .

Note 2: Optical performance should be evaluated at  $T_a = 25^\circ\text{C}$  only.

Note 3: If LED is driven by high current, high ambient temperature & humidity condition. The life time of LED will be reduced. Operating life means brightness goes down to 50% initial brightness. Typical operating life time is estimated data.

Table 4.2 LED backlight characteristics

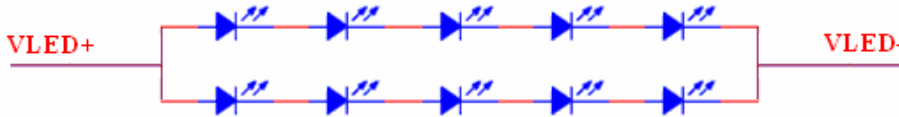


Figure 4.2 LED connection of backlight

### 4.3 Block Diagram

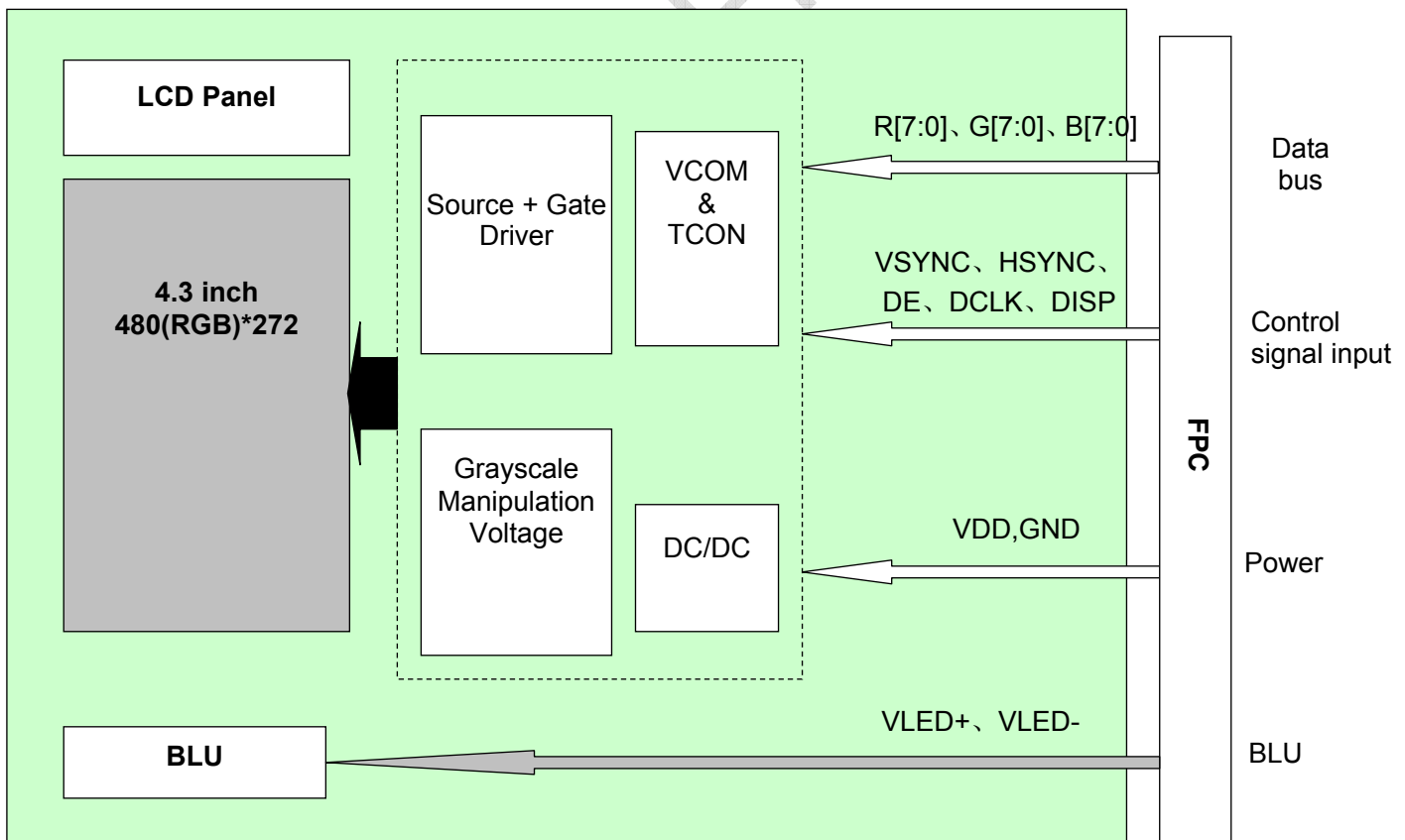


Figure 4.3 LCD Module Diagram

The information contained herein is the exclusive property of SHANGHAI TIANMA MICRO-ELECTRONICS Corporation, and shall not be distributed, reproduced, or disclosed in whole or in part without prior written permission of SHANGHAI TIANMA MICRO-ELECTRONICS Corporation.



## 5. Interface timing

### 5.1 Input Setup Timing Setting

#### 5.1.1 Input Setup Timing Parameter Setting

VDD=3.3V Ta=25°C

Normal Write Mode

Parameter	Symbol	Min	Typ	Max	Unit	Remark
DCLK Cycle Time	$T_{pw}$	66.7	-	-	ns	
DCLK Pulse High Width	$T_{pwh}$	26.7	-	-	ns	
DCLK Pulse Low Width	$T_{pwl}$	26.7	-	-	ns	
DE Setup Time	$T_{des}$	10	-	-	ns	
DE Hold Time	$T_{deh}$	10	-	-	ns	
HSYNC Setup Time	$T_{hs}$	10	-	-	ns	
HSYNC Hold Time	$T_{hh}$	10	-	-	ns	
VSYNC Setup Time	$T_{vhs}$	10	-	-	ns	
VSYNC Hold Time	$T_{vhh}$	10	-	-	ns	
Data Setup Time	$T_{ds}$	10	-	-	ns	
Data Hold Time	$T_{dh}$	10	-	-	ns	
DISP Setup Time	$T_{diss}$	10	-	-	us	
DISP Hold Time	$T_{dish}$	10	-	-	ms	

**Note 1:**  $t_r=t_f=2ns$ ,  $t_r$  is defined 10% to 90% of signal amplitude.**Note 2:** For parallel interface, maximum clock frequency is 15MHz.**Table 5.1 Input Setup Timing Parameters Requirement**





5.1.2 Input Setup Timing Diagram

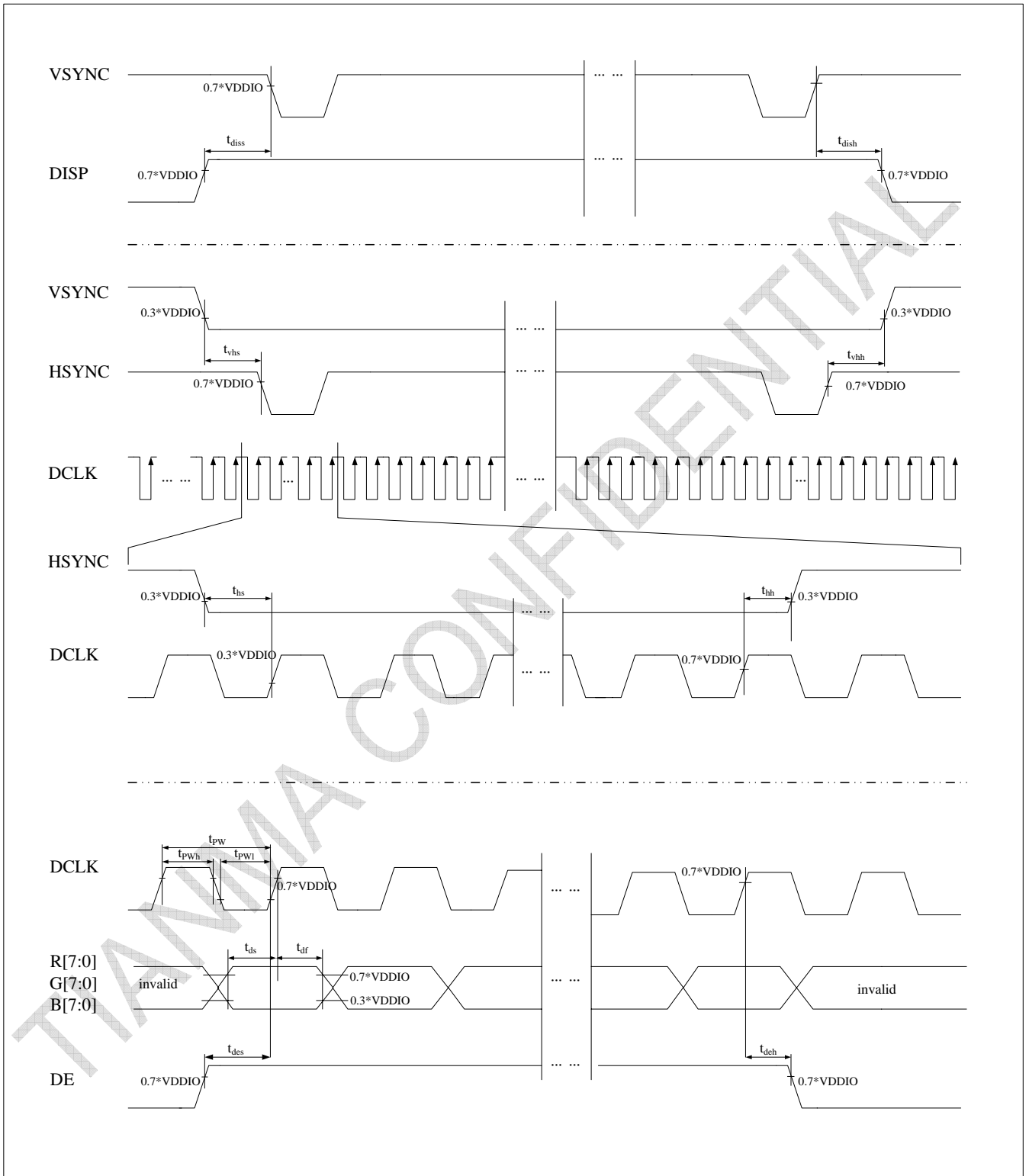


Figure 5.1.2 Input Setup Timing Diagram

The information contained herein is the exclusive property of SHANGHAI TIANMA MICRO-ELECTRONICS Corporation, and shall not be distributed, reproduced, or disclosed in whole or in part without prior written permission of SHANGHAI TIANMA MICRO-ELECTRONICS Corporation.



## 5.2 Data Input Format

### 5.2.1 Data Input Timing Parameter Setting

Parameter	Symbol	Min	Typ	Max	Unit	Remark
DCLK frequency	$f_{clk}$	--	9	15	MHZ	
HSYNC frequency	$1/t_h$	--	17.14	--	KHz	
VSYNC frequency	$1/t_v$	--	59.94	--	Hz	
Horizontal cycle	$t_h$	525	525	605	DCLK	
Horizontal display period	$t_{hd}$	480			DCLK	
Horizontal pulse width	$t_{hp}$	2	41	41	DCLK	
Horizontal back porch	$t_{hb}$	2	2	41	DCLK	
Horizontal front porch	$t_{hf}$	2	2	82	DCLK	
Vertical cycle	$t_v$	285	286	399	HSYNC	
Vertical display period	$t_{vd}$	272			HSYNC	
Vertical pulse width	$t_{vp}$	1	10	11	HSYNC	
Vertical back porch	$t_{vb}$	1	2	11	HSYNC	
Vertical front porch	$t_{vf}$	1	2	227	HSYNC	

**Note 1:** Unit: CLK=1/  $f_{CLK}$  , H=  $t_h$ ,

**Note 2:** It is necessary to keep  $t_{vp}+t_{vb}=12$  and  $t_{hp}+t_{hb}=43$  in sync mode. DE mode is unnecessary to keep it.

**Table 5.2.2 Data Input Timing Parameters Requirement**



### 5.2.2 Data Input Timing Diagram

#### 5.2.2.1 Data Input Timing Diagram under SYNC Mode

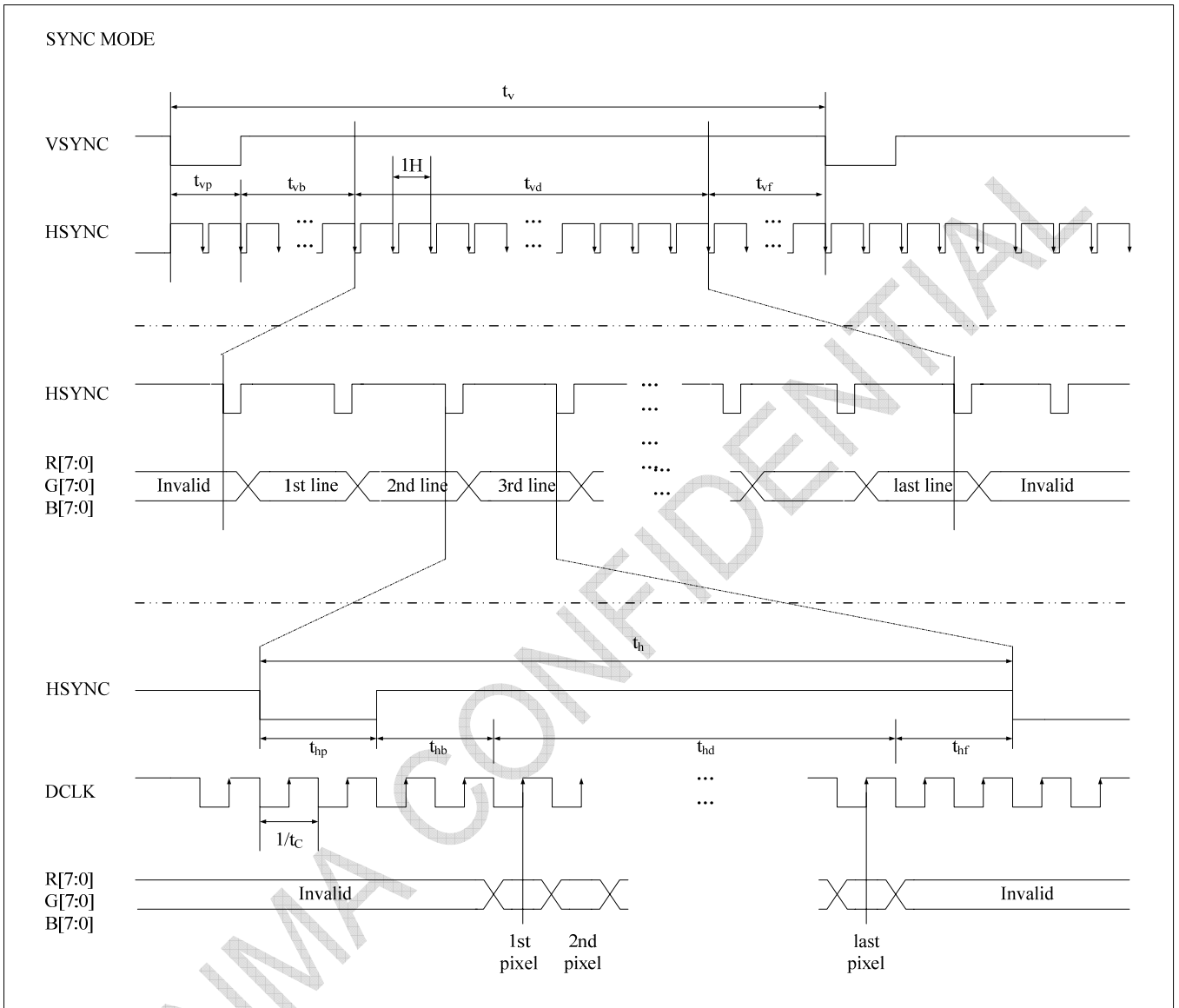


Figure 5.2.1 Data Input Timing Diagram Under SYNC Mode(DE="L")



5.2.2.2 Data Input Timing Diagram under DE Mode

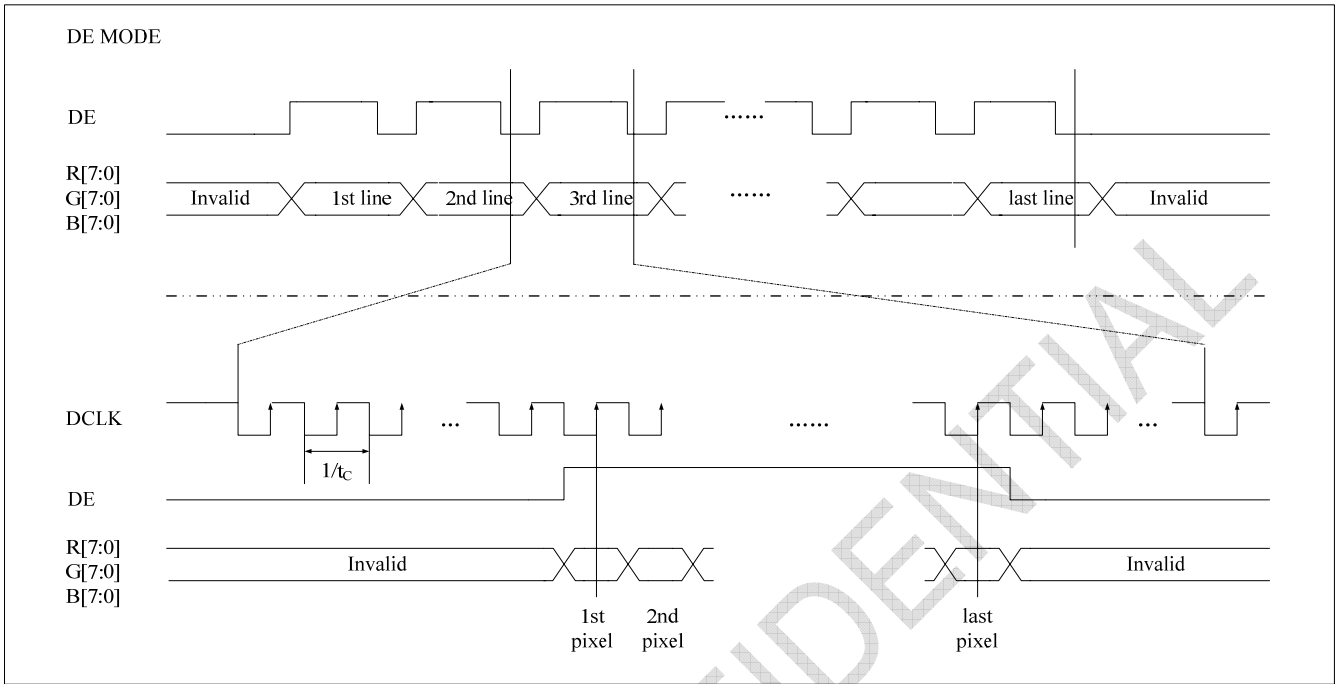


Figure 5.2.2 Data Input Timing Diagram Under DE Mode(VSYNC/HSYNC="H")



### 5.3 Power ON/OFF Sequence

#### 5.3.1 Power ON Sequence

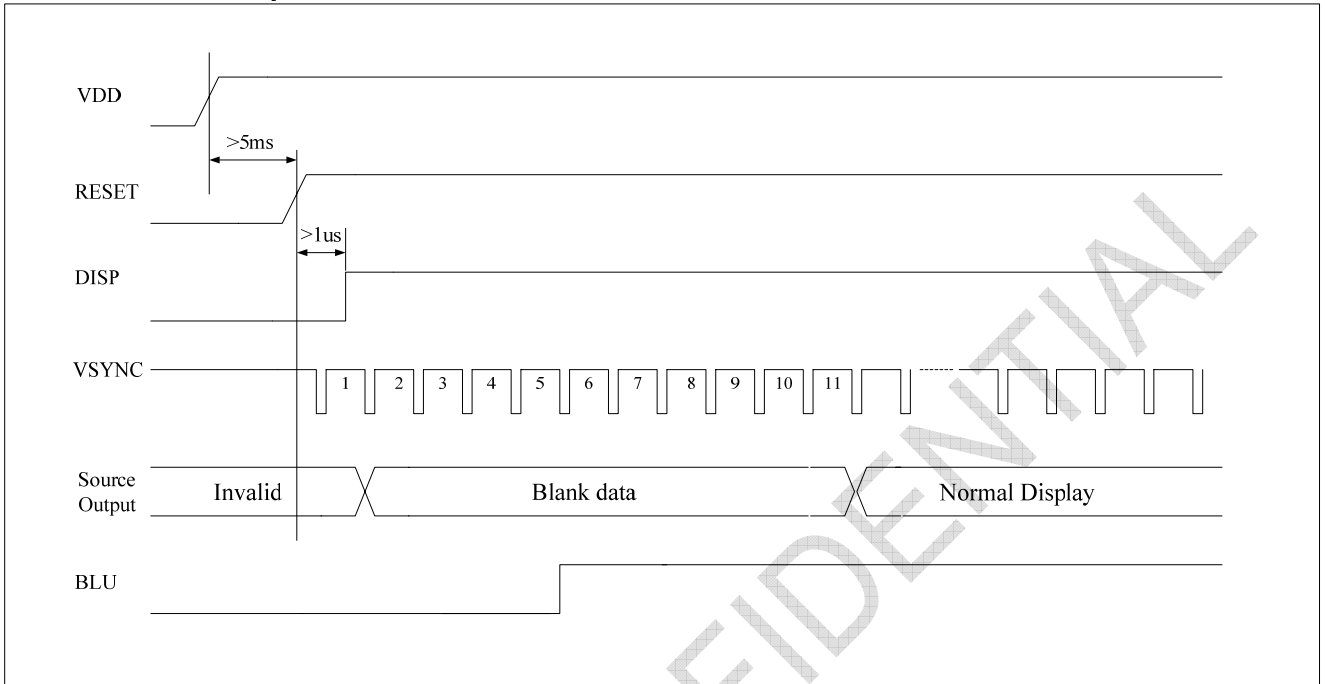


Figure 5.3.1 Power on sequence

#### 5.3.2 Power OFF Sequence

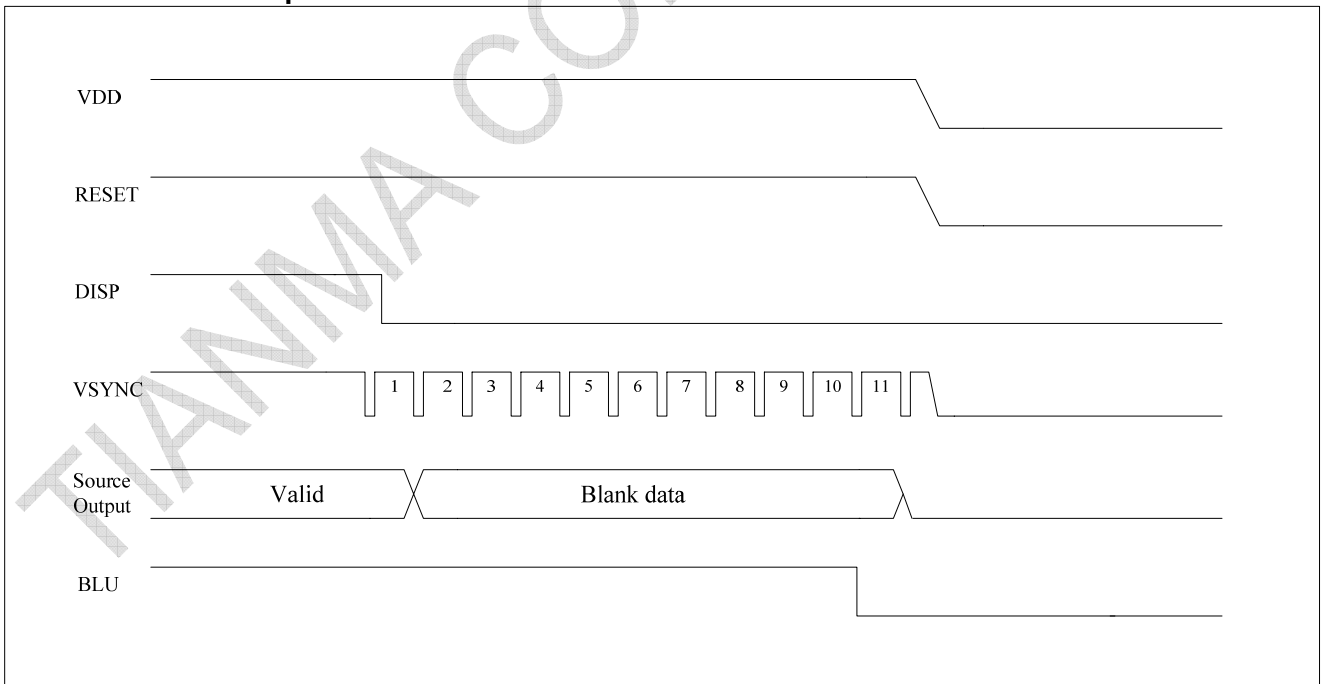


Figure 5.3.2 Power off sequence

**6. Optical Characteristics**

Item	Symbol	Condition	Min	Typ	Max	Unit	Remark
View Angles	$\theta T$	$CR \geq 10$	60	70	--	Degree	Note 2
	$\theta B$		40	50	--		
	$\theta L$		60	70	--		
	$\theta R$		60	70	--		
Contrast Ratio	CR	$\theta=0^\circ$	400	500	--		Note1、Note3
Response Time	$T_{ON}$	25°C	--	20	30	ms	Note1 Note4
	$T_{OFF}$						
Chromaticity	White	Backlight is on	x	0.265	0.315	0.365	Note5 Note1
			y	0.285	0.335	0.385	
	Red		x	0.531	0.581	0.631	
			y	0.295	0.345	0.395	
	Green		x	0.298	0.348	0.395	
			y	0.531	0.581	0.631	
	Blue		x	0.103	0.153	0.203	
			y	0.045	0.095	0.145	
Uniformity	U		75	80	--	%	Note1、Note6
NTSC			--	50	--	%	Note 5
Luminance	L		250	300	--	cd/m <sup>2</sup>	Note1、Note7

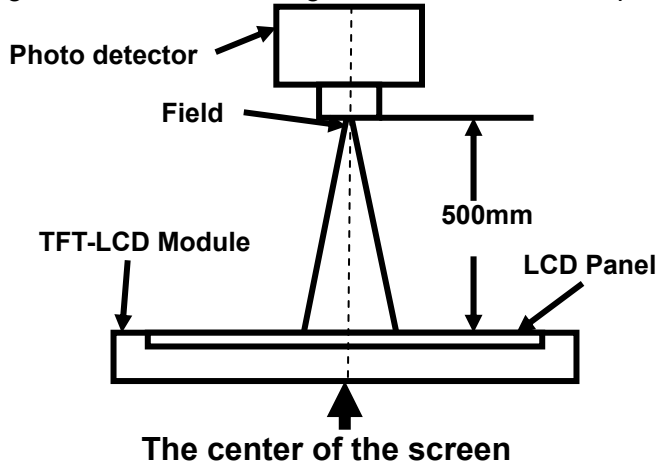
Test Conditions:

1.  $I_F=20mA$ (one channel),the ambient temperature is 25°C.
2. The test systems refer to Note 1 and Note 2.



Note 1: Definition of optical measurement system.

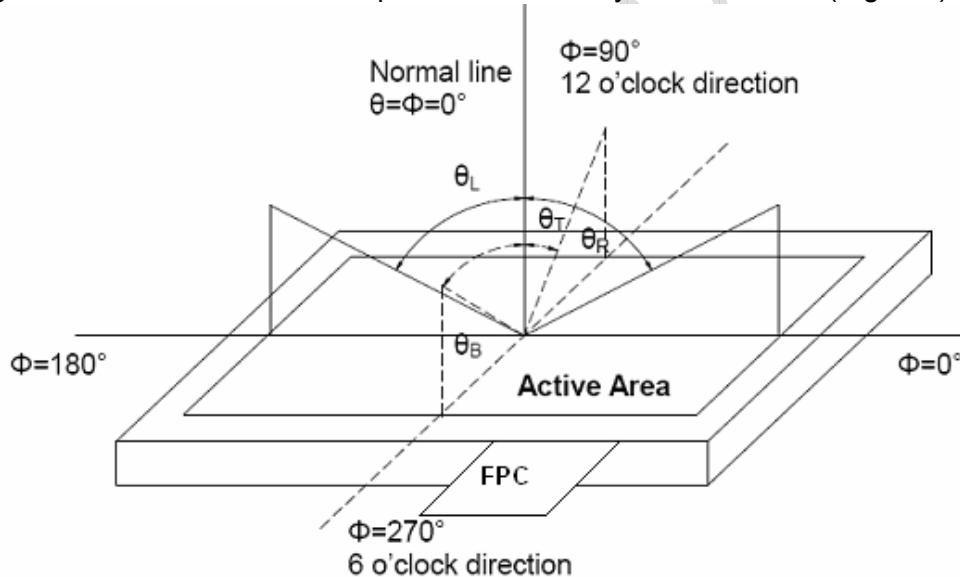
The optical characteristics should be measured in dark room. After 5 Minutes operation, the optical properties are measured at the center point of the LCD screen. All input terminals LCD panel must be ground when measuring the center area of the panel.



Item	Photo detector	Field
Contrast Ratio	SR-3A	1°
Luminance		
Chromaticity		
Lum Uniformity		
Response Time	BM-7A	2°

Note 2: Definition of viewing angle range and measurement system.

viewing angle is measured at the center point of the LCD by CONOSCOPE(ergo-80).



Note 3: Definition of contrast ratio

$$\text{Contrast ratio (CR)} = \frac{\text{Luminance measured when LCD is on the "White" state}}{\text{Luminance measured when LCD is on the "Black" state}}$$

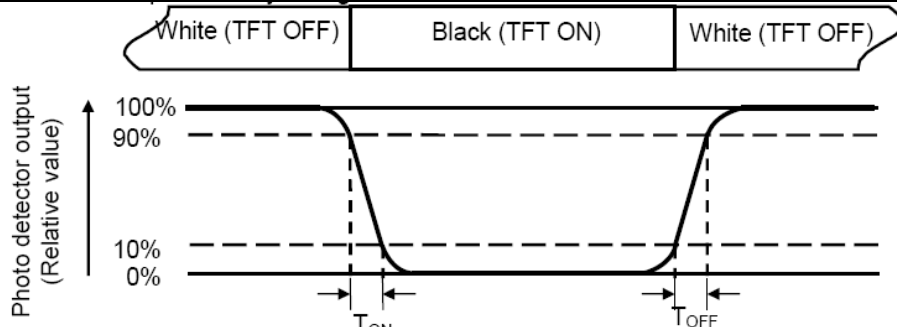
“White state “: The state is that the LCD should drive by Vwhite.

“Black state”: The state is that the LCD should drive by Vblack.

Vwhite: To be determined Vblack: To be determined.

Note 4: Definition of Response time

The response time is defined as the LCD optical switching time interval between “White” state and “Black” state. Rise time (TON) is the time between photo detector output intensity changed from 90% to 10%. And fall time (TOFF) is the time between photo detector output intensity changed from 10% to 90%.



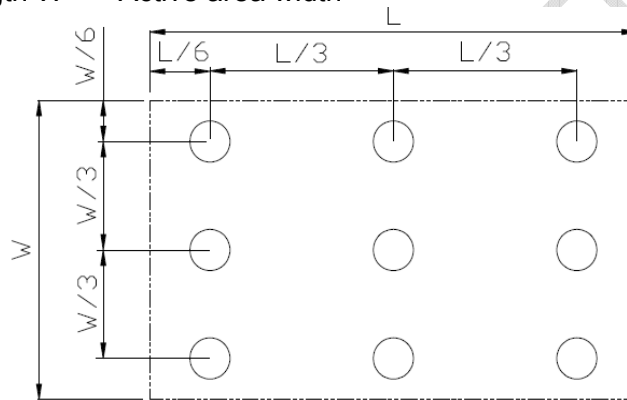
Note 5: Definition of color chromaticity (CIE1931)  
 Color coordinates measured at center point of LCD.

Note 6: Definition of Luminance Uniformity

Active area is divided into 9 measuring areas (Refer Fig. 2). Every measuring point is placed at the center of each measuring area.

Luminance Uniformity (U) =  $L_{min} / L_{max}$

L-----Active area length W----- Active area width



$L_{max}$ : The measured Maximum luminance of all measurement position.

$L_{min}$ : The measured Minimum luminance of all measurement position.

Note 7: Definition of Luminance:

Measure the luminance of white state at center point.



**7. Environmental / Reliability Test**

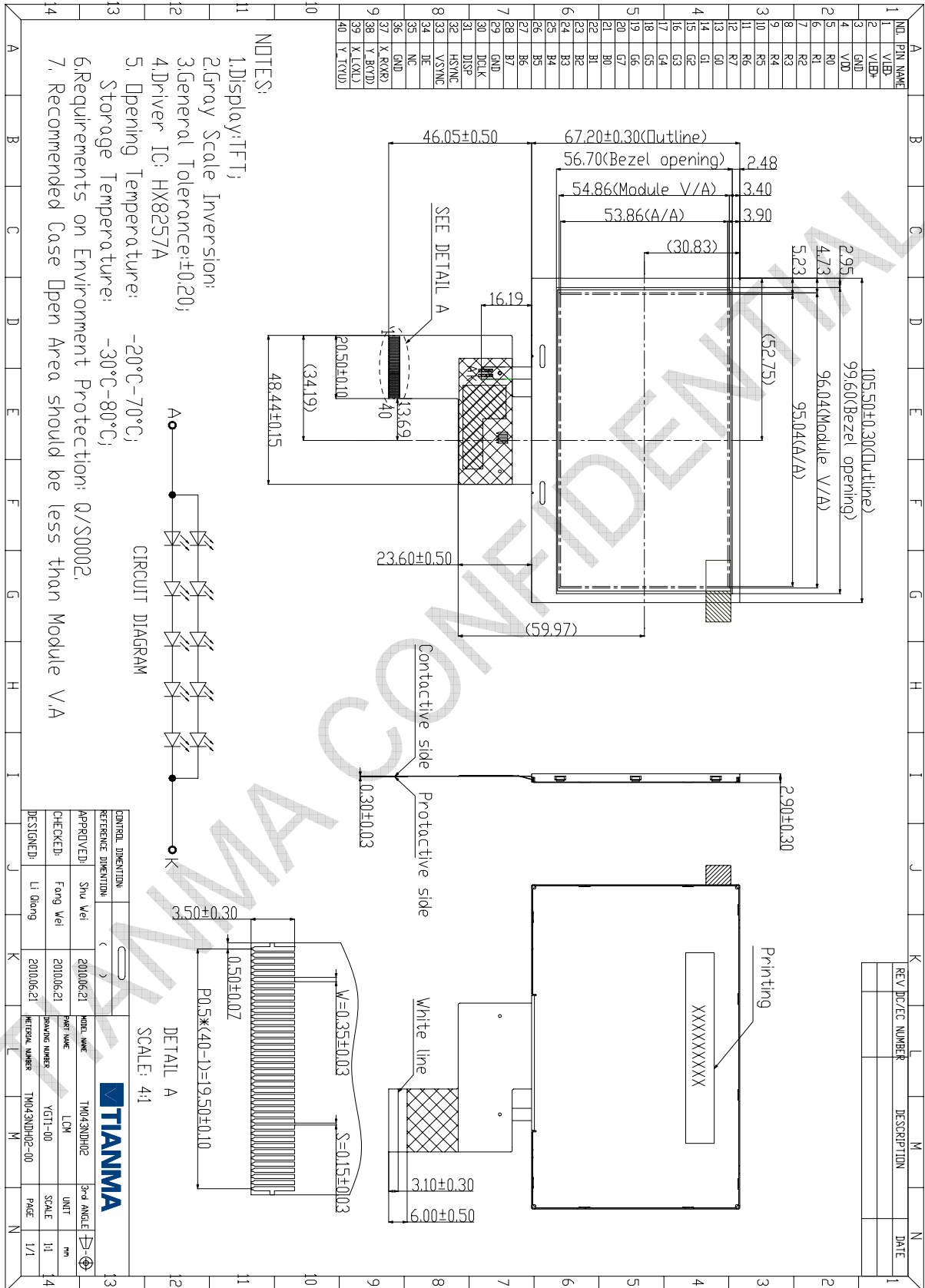
No	Test Item	Condition	Remarks
1	High Temperature Operation	Ts = +70°C, 240 hours	Note1 IEC60068-2-1,GB2423.2
2	Low Temperature Operation	Ta = -20°C, 240 hours	IEC60068-2-1 GB2423.1
3	High Temperature Storage	Ta = +80°C, 240 hours	IEC60068-2-1 GB2423.2
4	Low Temperature Storage	Ta = -30°C, 240 hours	IEC60068-2-1 GB2423.1
5	Storage at High Temperature and Humidity	Ta = +60°C, 90% RH max,240hours	Note2 IEC60068-2-78 GB/T2423.3
6	Thermal Shock (non-operation)	-20°C 30 min~+80°C 30 min, Change time:5min, 100 Cycle	Start with cold temperature, End with high temperature, IEC60068-2-14,GB2423.22
7	ESD	C=150pF,R=330Ω,5point/panel Air:±8Kv,5times; Contact:±4Kv,5times (Environment:15°C~35°C, 30%~60%.86Kpa~106Kpa)	IEC61000-4-2 GB/T17626.2
8	Vibration Test	Frequency range:10~55Hz Stroke:1.5mm Sweep:10Hz~55Hz~10Hz 2 hours for each direction of X.Y.Z. (6 hours for total)	IEC60068-2-6 GB/T2423.10
9	Mechanical Shock (Non Op)	Half Sine Wave 60G 6ms, ±X,±Y,±Z 3times for each direction	IEC60068-2-27 GB/T2423.5
10	Package Drop Test	Height:60cm, 1corner,3edges,6surfaces	IEC60068-2-32 GB/T2423.8
11	Package Vibration Test	Random Vibration: 0.015G*G/Hz for 5-200Hz, -6dB/Octave from 200-500Hz 2 hours for each direction of X,Y,Z (6 hours for total)	IEC60068-2-34 GB/T2423.11

Note1: Ts is the temperature of panel's surface.

Note2: Ta is the ambient temperature of samples.



### 8. Mechanical Drawing



The information contained herein is the exclusive property of SHANGHAI TIANMA MICRO-ELECTRONICS Corporation, and shall not be distributed, reproduced, or disclosed in whole or in part without prior written permission of SHANGHAI TIANMA MICRO-ELECTRONICS Corporation.



## 9. Packing Drawing

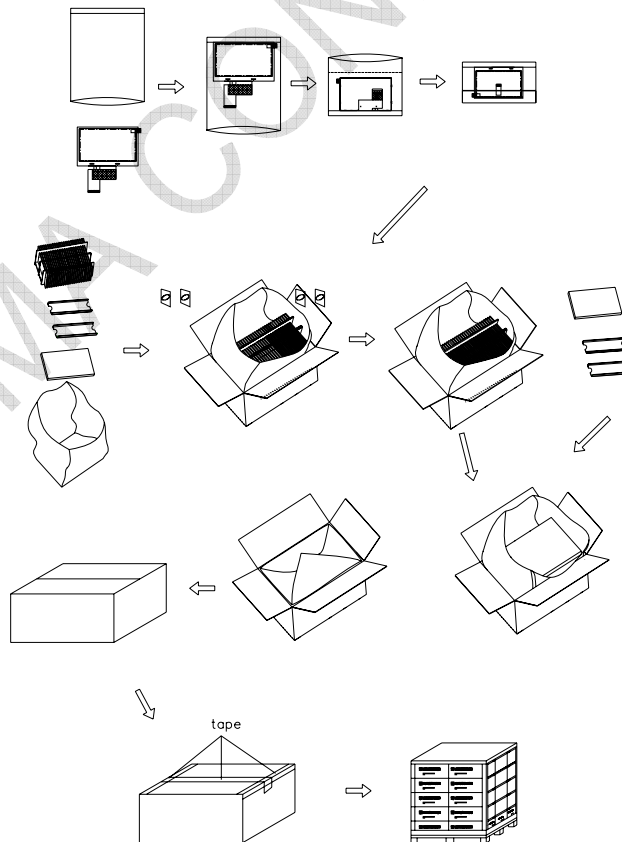
### 9.1 Packaging Material

No	Item	Model(Material)	Dimensions (mm)	Unit Weight (Kg)	Quantity	Remark
1	LCM module	TM043NDH02	105.5x67.2x2.9	0.044	112	
2	Partition_1	Corrugated Paper	513x333x106	0.7	2	
3.	Anti-Static Bag	PE	175.8x125x0.05	0.0007	112	Anti-static
4	Dust-Proof Bag	PE	700x530	0.0600	1	
5	Partition_2	Corrugated Paper	505x332x4.00	0.09	3	
6	Corrugated Bar	Corrugated Paper	513x117x3	0.04	8	
7	Carton	Corrugated Paper	530x350x250	1.1000	1	
8	Total weight	TBD Kg				

Note: Packaging Specification and Quantity

Module quantity in a carton: 28pcs(per row)x2(per column)x2= 112pcs

### 9.2 Packing Instruction



The information contained herein is the exclusive property of SHANGHAI TIANMA MICRO-ELECTRONICS Corporation, and shall not be distributed, reproduced, or disclosed in whole or in part without prior written permission of SHANGHAI TIANMA MICRO-ELECTRONICS Corporation.



## 10. Precautions for Use of LCD Modules

### 10.1 Handling Precautions

10.1.1 The display panel is made of glass. Do not subject it to a mechanical shock by dropping it from a high place, etc.

10.1.2 If the display panel is damaged and the liquid crystal substance inside it leaks out, be sure not to get any in your mouth, if the substance comes into contact with your skin or clothes, promptly wash it off using soap and water.

10.1.3 Do not apply excessive force to the display surface or the adjoining areas since this may cause the color tone to vary.

10.1.4 The polarizer covering the display surface of the LCD module is soft and easily scratched. Handle this polarizer carefully.

10.1.5 If the display surface is contaminated, breathe on the surface and gently wipe it with a soft dry cloth. If still not completely clear, moisten cloth with one of the following solvents:

- Isopropyl alcohol
- Ethyl alcohol

Solvents other than those mentioned above may damage the polarizer. Especially, do not use the following:

- Water
- Ketone
- Aromatic solvents

10.1.6 Do not attempt to disassemble the LCD Module.

10.1.7 If the logic circuit power is off, do not apply the input signals.

10.1.8 To prevent destruction of the elements by static electricity, be careful to maintain an optimum work environment.

10.1.8.1 Be sure to ground the body when handling the LCD Modules.

10.1.8.2 Tools required for assembly, such as soldering irons, must be properly ground.

10.1.8.3 To reduce the amount of static electricity generated, do not conduct assembly and other work under dry conditions.

10.1.8.4 The LCD Module is coated with a film to protect the display surface. Be care when peeling off this protective film since static electricity may be generated.

### 10.2 Storage precautions

10.2.1 When storing the LCD modules, avoid exposure to direct sunlight or to the light of fluorescent lamps.

10.2.2 The LCD modules should be stored under the storage temperature range. If the LCD modules will be stored for a long time, the recommend condition is:

Temperature : 0°C ~ 40°C      Relatively humidity: ≤80%

10.2.3 The LCD modules should be stored in the room without acid, alkali and harmful gas.

### 10.3 Transportation Precautions

10.3.1 The LCD modules should be no falling and violent shocking during transportation, and also should avoid excessive press, water, damp and sunshine.