

## 1 key Touch Pad Detector IC

### Outline

- The TTP233H-RB6 TonTouch™ is a touch pad detector IC which offers 1 touch key. The device built-in regulator for touch sensor. Stable sensing method can cover diversity conditions. The touching detection IC is designed for replacing traditional direct button key with diverse pad size. Low power consumption and wide operating voltage are the contact key features for DC or AC application.

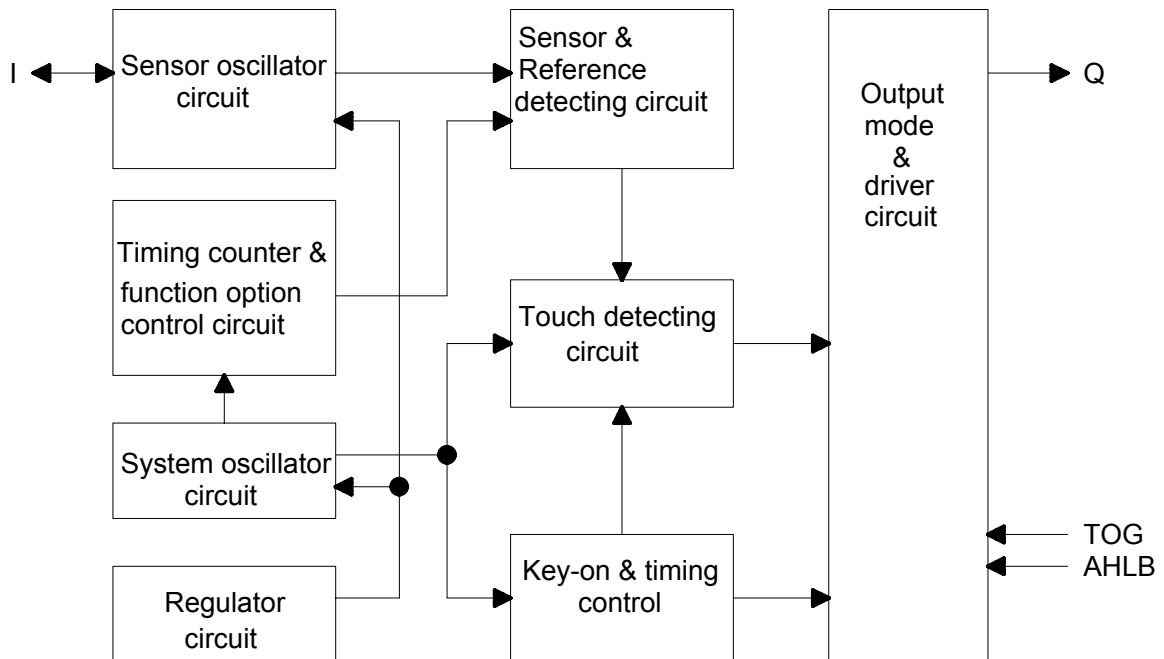
### Characteristic

- Operating voltage 2.4V ~ 5.5V
- Built-in regulator for touch sensor
- Built-in low voltage reset (LVR) function
- Operating current, @VDD=3V no load  
At low power mode typical 1.5uA, maximum 3uA
- The response time about 160mS at low power mode @VDD=3V
- Sensitivity can adjust by the capacitance ( 1~50pF ) outside
- Stable touching detection of human body for replacing traditional direct switch key
- Provides Low Power mode
- Provides direct output or toggle output selection by pin option (TOG pin)
- Q pin is CMOS output can be selected active high or active low by pin option (AHLB pin)
- Have the maximum on time about 16 sec( $\pm 35\%$  @ VDD=3.0V)
- After power-on have about 0.5sec stable-time, during the time do not touch the key pad, and the function is disabled
- Auto calibration for life, and automatic calibration environment change

### Applications

- Wide consumer products
- Button key replacement

## Block diagram



## Pin Description

Pin NO	Pin Name	Type	Pin Description
1	I	I/O	Input sensor port
2	VSS	P	Negative power supply, ground
3	Q	O	CMOS output pin
4	TOG	I-PL	Output type option pin, 0(Default)=>Direct output; 1=>Toggle output
5	VDD	P	Positive power supply
6	AHLB	I-PL	Output Q active high or low selection, 0(Default)=>Active high; 1=>Active low

## Pin Type

- I CMOS input only
- O CMOS push-pull output
- I/O CMOS I/O
- P Power/Ground
- I-PH CMOS input and pull-high resistor
- I-PL CMOS input and pull-low resistor
- OD Open drain output, have no Diode protective circuit

## Electrical Characteristics

- Absolute maximum ratings**

Parameter	Symbol	Conditions	Rating	Unit
Operating Temperature	T <sub>OP</sub>	—	-40~+85	°C
Storage Temperature	T <sub>STG</sub>	—	-50~+125	°C
Supply Voltage	VDD	Ta=25°C	VSS-0.3~VSS+5.5	V
Input Voltage	V <sub>IN</sub>	Ta=25°C	VSS-0.3~VDD+0.3	V
Human Body Mode	ESD	—	≥4	KV

Note : VSS symbolizes for system ground

- DC / AC characteristics : ( Test condition at room temperature = 25 °C )**

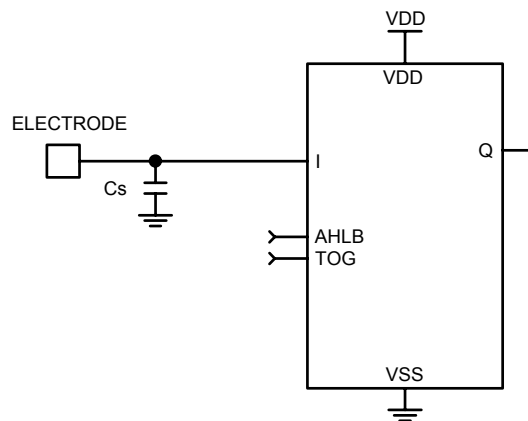
Parameter	Symbol	Test Condition	Min	Typ	Max	Unit
Operating Voltage	VDD		2.4	3	5.5	V
Internal Regulator Output	VREG		2.2	2.3	2.4	V
Operating Current	I <sub>OPL</sub>	VDD=3V, At low power mode		1.5	3	uA
	I <sub>OFF</sub>	VDD=3V, At fast mode		4.0	8	uA
Input Ports	V <sub>IL</sub>	Input Low Voltage	0		0.2	VDD
Input Ports	V <sub>IH</sub>	Input High Voltage	0.8		1.0	VDD
Output Port Sink Current	I <sub>OL</sub>	VDD=3V, V <sub>OL</sub> =0.6V		8		mA
Output Port Source Current	I <sub>OH</sub>	VDD=3V, V <sub>OH</sub> =2.4V		-4		mA
Input Pin Pull-low Resistor	R <sub>PL</sub>	VDD=3V (TOG, AHLB)		25K		ohm
Output Response Time	T <sub>R</sub>	VDD=3V、 At fast mode		46		mS
		VDD=3V、 At low power mode		160		

## Function Description

### I . Sensitivity adjustment

The total loading of electrode size and capacitance of connecting line on PCB can affect the sensitivity. So the sensitivity adjustment must according to the practical application on PCB. The TTP233H-RB6 offers some methods for adjusting the sensitivity outside.

1. by the electrode size  
Under other conditions are fixed. Using a larger electrode size can increase sensitivity. Otherwise it can decrease sensitivity. But the electrode size must use in the effective scope.
2. by the panel thickness  
Under other conditions are fixed. Using a thinner panel can increase sensitivity. Otherwise it can decrease sensitivity. But the panel thickness must be below the maximum value.
3. by the value of Cs ( please see the down figure )  
Under other conditions are fixed. When do not use the Cs to VSS, the sensitivity is most sensitive. When adding the value of Cs will reduce sensitivity in the useful range (  $1 \leq C_s \leq 50\text{pF}$  ) .



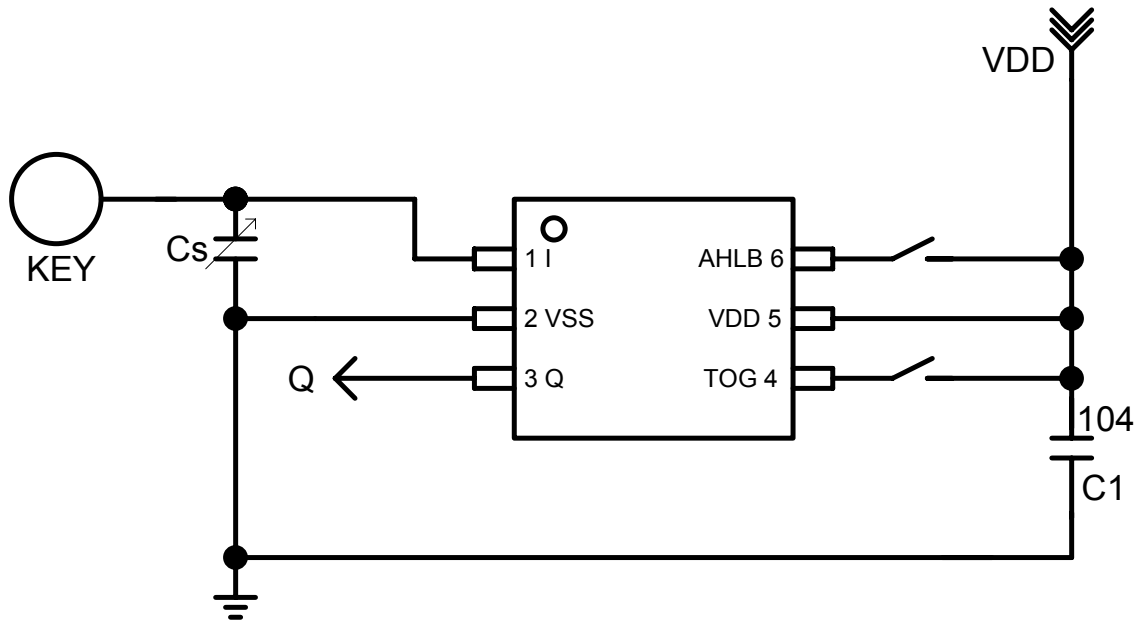
### II . Output mode ( By TOG 、 AHLB pin option )

- TOG pin : Direct output or toggle output selection.  
 AHLB pad : Output Q active high or active low selection.

#### Pin Q ( CMOS output ) option features :

TOG	AHLB	Pin Q option features
0	0	Direct output, CMOS active high
0	1	Direct output, CMOS active low
1	0	Toggle output, power on state = 0
1	1	Toggle output, power on state = 1



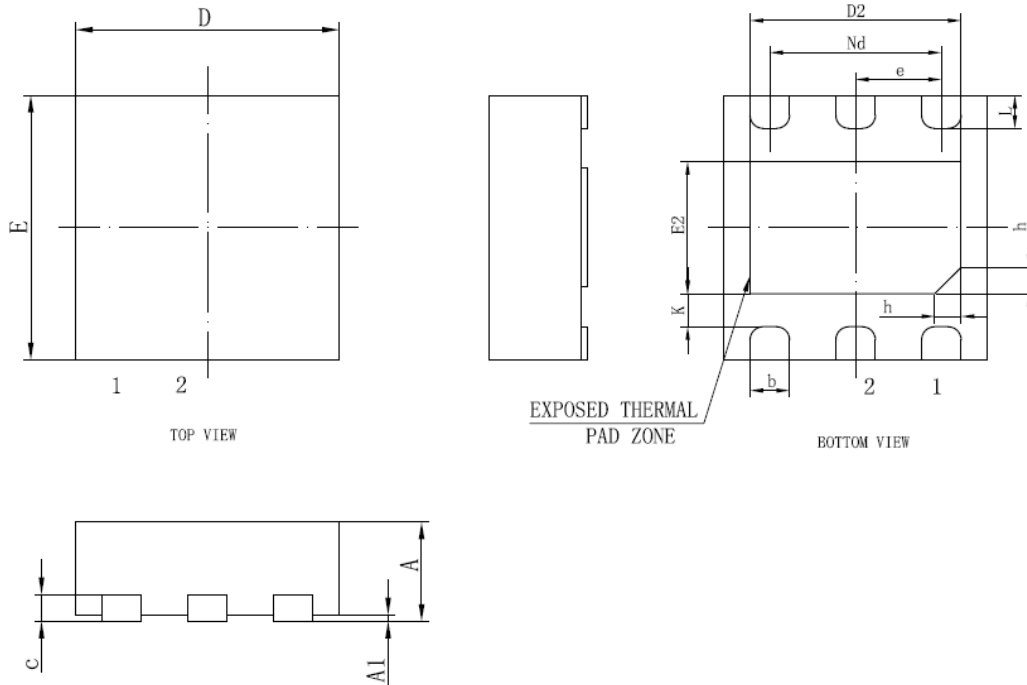


P.S. :

1. On PCB, the length of lines from touch pad to IC pin shorter is better. And the lines do not parallel and cross with other lines.
2. The power supply must be stable. If the supply voltage drift or shift quickly, maybe causing sensitivity anomalies or false detections.
3. The material of panel covering on the PCB can not include the metal or the electric element. The paints on the surfaces are the same.
4. The C1 capacitor must be used between VDD and VSS; and should be routed with very short tracks to the device's VDD and VSS pins (TTP233H-RB6).
5. The capacitance Cs can be used to adjust the sensitivity. The value of Cs use smaller, then the sensitivity will be better. The sensitivity adjustment must according to the practical application on PCB. The range of Cs value are 1~50pF.
6. The sensitivity adjustment capacitors (Cs) must use smaller temperature coefficient and more stable capacitors. Such are X7R, NPO for example. So for touch application, recommend to use NPO capacitor, for reducing that the temperature varies to affect sensitivity.

## Package outline

Package Type: DFN6L



Symbol Parameter (Unit : mm)														
A			A1			b			c			D		
Min	Nom	Max	Min	Nom	Max	Min	Nom	Max	Min	Nom	Max	Min	Nom	Max
0.70	0.75	0.80	0	0.02	0.05	0.25	0.30	0.35	0.18	0.20	0.25	1.90	2.00	2.10

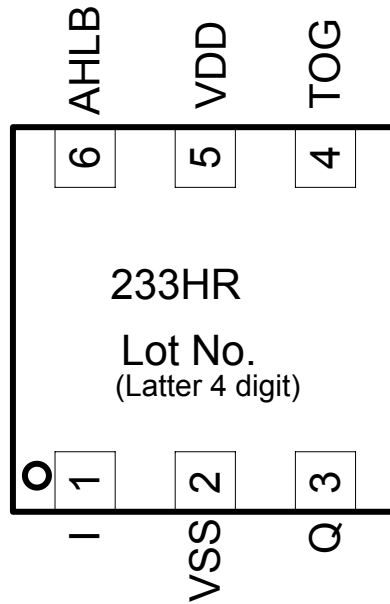
Symbol Parameter (Unit : mm)														
D2			e			Nd			E			E2		
Min	Nom	Max		Typ			Typ		Min	Nom	Max	Min	Nom	Max
1.50	1.60	1.70		0.65 BSC			1.30 BSC		1.90	2.00	2.10	0.90	1.00	1.10

Symbol Parameter (Unit : mm)								
K			L			h		
Min	Nom	Max	Min	Nom	Max	Min	Nom	Max
0.20			0.20	0.25	0.30	0.15	0.20	0.25

## Package configuration

TTP233H-RB6

Package Type DFN6L



## Ordering Information

### TTP233H-RB6

Package Type	Chip Type	Wafer Type
TTP233H-RB6	No support	No support

## REVISION HISTORY

- 2020/12/30  
- Initial version : V1.0